

**MONTEBELLO
ACRYLIC DOUBLE
SLIPPER TUB**

Cat. No.
ATDS7H69B



L: 69"
W: 28-1/2"
H: 28-3/8"

Water depth: 16-5/8" to top of tub
Water depth: 12-1/8" to overflow

**The following is recommended for
ATDS7H tubs:**

- Faucets: part #4601 or 7601
- Use with Straight Bath Supplies: part #5577
- Leg tub drain: part #5599LT or 5599TS

Gallon Capacity: 53
Shipping Weight: 144 lbs.
Empty Weight: 84 lbs.
Filled Weight: 543 lbs.



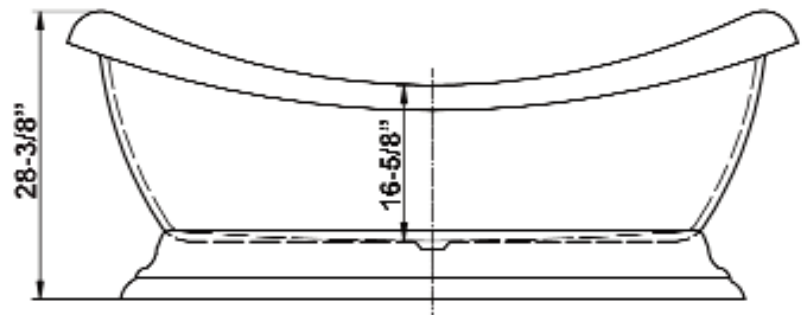
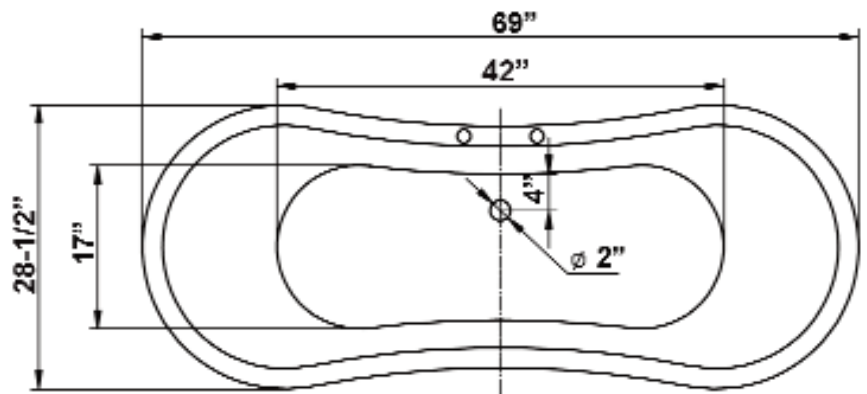
Overflow can be drilled.
With overflow drilled this tub
requires drain 5599.
**Tubs that have been
drilled with overflow are
"special order" and
are not returnable.**

Features:

- ▶ Interior and exterior walls acrylic sheets
- ▶ Space between walls is partially filled with fiberglass & resin
- ▶ 7" centers in tub deck
- ▶ Includes base
- ▶ Tub is thoroughly inspected before shipment
- ▶ IAPMO Certified
- ▶ No overflow



Custom Colors Available (inside of tub is always white enamel):
Painted bathtubs are considered "special order" and are not returnable
\$160 Bisque or Black \$250 Designer Color



Dimensions of fixture are nominal and specifications subject to change without notice.