

**63" MONTERREY
ACRYLIC DOUBLE
SLIPPER TUB**

Cat. No.
ATDS7H63RB



L: 63"
W: 28"
H: 28"

Water depth: 16-5/8" to top of tub
Plinth: 20" wide

Features:

- ▶ Interior and exterior walls acrylic sheets
- ▶ Space between walls partially filled with fiberglass & resin
- ▶ 7" Centers in tub deck
- ▶ No overflow
- ▶ Built-in adjusters included
- ▶ Tub is thoroughly inspected before shipment
- ▶ IAPMO Certified



Custom Colors Available (inside of tub is always white enamel):
Painted bathtubs are considered "special order" and are not returnable
\$160 Bisque or Black \$250 Designer Color

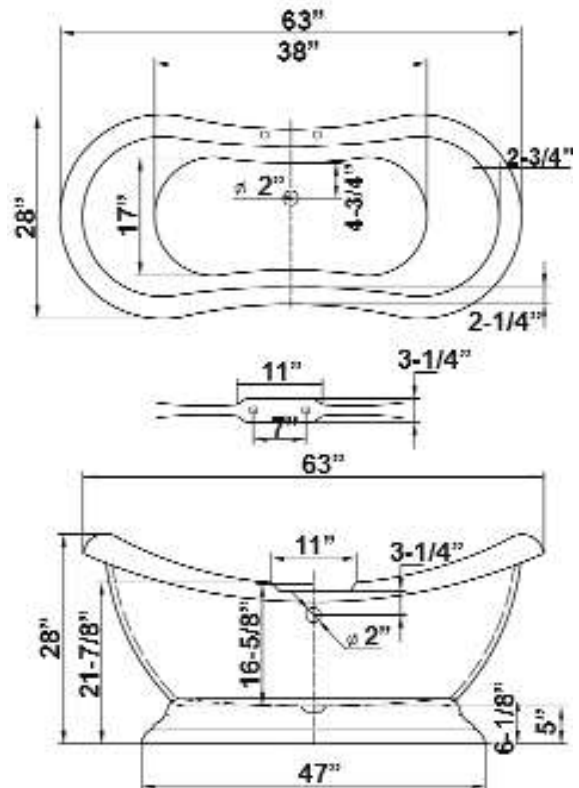
The following is recommended for ATDSNTD tubs:

- Faucets: #4602, #4063 or #4604
- Freestanding Bath Supplies: #4502
- Freestanding Faucets: #7922, 7932, or 7918 (Do Not Need Bath Supplies)
- Leg tub drain: part #5599LT or #5599TS



Overflow can be drilled.
With overflow drilled this tub requires drain **5599**.
Tubs that have been drilled with overflow are "special order" and are not returnable.

Gallon Capacity: 43
Shipping Weight: 140 lbs.
Empty Weight: 80 lbs.
Filled Weigh: 459 lbs.



Dimensions of fixture are nominal and specifications subject to change without notice.