

**70" COMPTON
ACRYLIC DOUBLE
ROLL TOP TUB**

Cat. No.
ATDRN70B



L: 70"
W: 31-3/4"
H: 22"

Water depth: 17-1/8" to top of tub
Water depth: 12-5/8" to overflow

The following is recommended for ATDRN tubs:

- Faucets: part #4602, #4604 or 7082
- Use with Freestanding Bath Supplies: part #4502
- Leg tub drain: part #5599LT or #5599TS



Overflow can be drilled.
With overflow drilled this tub requires drain **5599E**.
Tubs that have been drilled with overflow are "special order" and are not returnable.

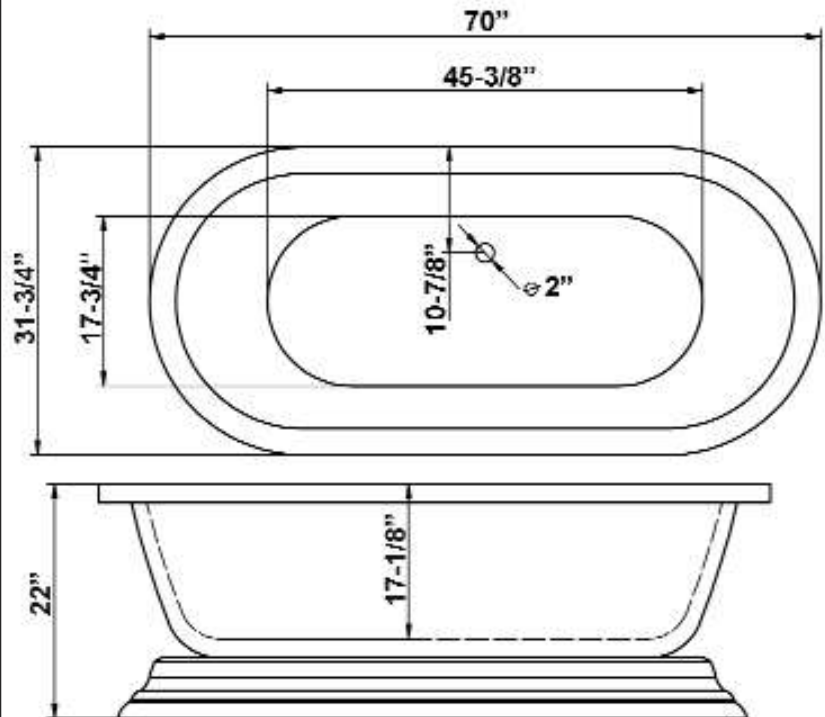
Gallon Capacity without OF: 57
Gallon Capacity with OF: 47
Shipping Weight: 192 lbs.
Empty Weight: 132 lbs.
Filled Weight without OF: 676 lbs.
Filled Weight with OF: 592 lbs.

Features:

- ▶ Interior and exterior walls acrylic sheets
- ▶ Space between walls is partially filled with fiberglass & resin
- ▶ No faucet holes
- ▶ No overflow
- ▶ Includes base
- ▶ Tub is thoroughly inspected before shipment
- ▶ IAPMO Certified



Custom Colors Available (inside of tub is always white enamel):
Painted bathtubs are considered "special order" and are not returnable
\$160 Bisque or Black \$250 Designer Color



Dimensions of fixture are nominal and specifications subject to change without notice.