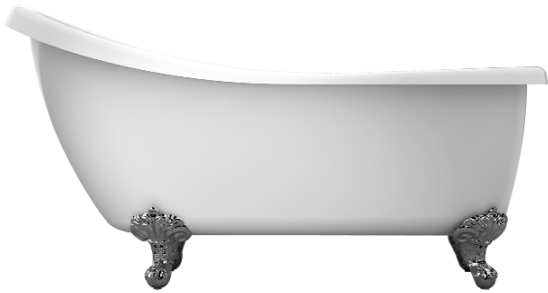


**KENNEY
67" ACRYLIC
SLIPPER TUB**

Cat. No.
AS7H67I



Features:

- ▶ Interior and exterior walls acrylic sheets
- ▶ Space between walls partially filled with fiberglass & resin
- ▶ 7" centers in tub deck
- ▶ Pre-drilled overflow hole
- ▶ Aluminum imperial feet available in 4 finishes
- ▶ Tub is thoroughly inspected before shipment
- ▶ No overflow



Feet Finishes:

- BN** Brushed Nickel
- PB** Polished Brass
- CP** Polished Chrome
- ORB** Oil Rubbed Bronze

L: 66-1/2"
W: 28-3/4"
H: 23-7/8" - 30-3/4"

Water depth: 19" to top of tub

Custom Colors Available (inside of tub is always white enamel):
Painted bathtubs are considered "special order" and are not returnable
\$160 Bisque or Black \$250 Designer Color

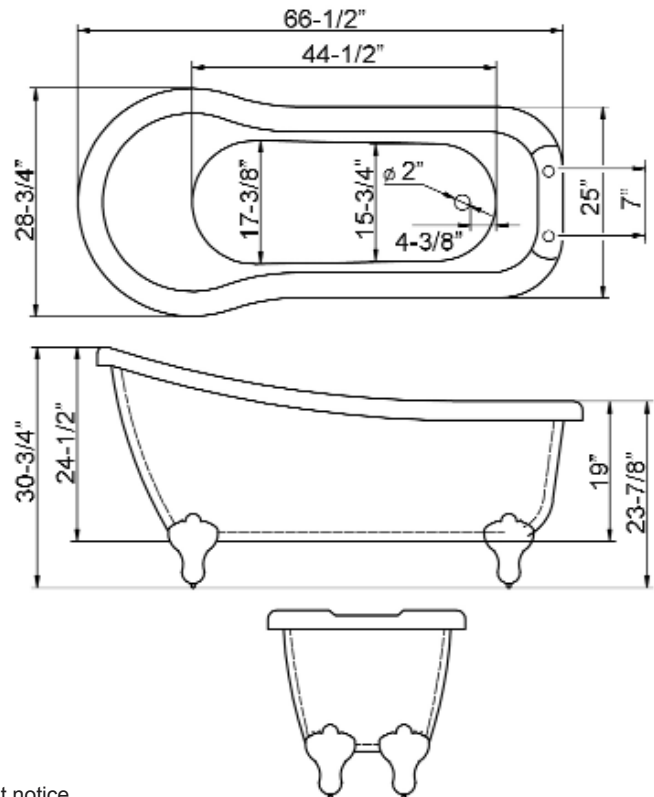
The following is recommended for AS7H tubs:

- Rim-mounted faucets: part #4601 or 4201
- Straight bath supplies: part #5577
- Leg tub drain: part #5599LT or 5599TS



Overflow can be drilled.
With overflow drilled this tub requires drain 5599.
Tubs that have been drilled with overflow are "special order" and are not returnable.

Gallon Capacity: 52
Shipping Weight: 142 lbs.
Empty Weight: 82 lbs.
Filled Weight: 634 lbs.



Dimensions of fixture are nominal and specifications subject to change without notice.