

69" MONROE ACRYLIC DOUBLE SLIPPER TUB

Cat. No.
ADSTD69LP



L: 69"
W: 28-1/2"
H: 30-3/4"

Water depth: 17-3/4" to top of tub
Water depth: 14-1/4" to overflow

The following is recommended for ADSTD69LP tubs:

- Faucets: part #4602, 4022 or 4025
- Rigid, freestanding supplies: part #4502
- Leg tub drain: part #5599LT or 5599TS



Overflow can be drilled.
With overflow drilled this tub requires drain 5599PD.
Tubs that have been drilled with overflow are "special order" and are not returnable.

Gallon Capacity without OF:	53
Gallon Capacity with OF:	43
Shipping Weight:	144 lbs.
Empty Weight:	84 lbs.
Filled Weight without OF:	643 lbs.
Filled Weight with OF:	559 lbs.

Features:

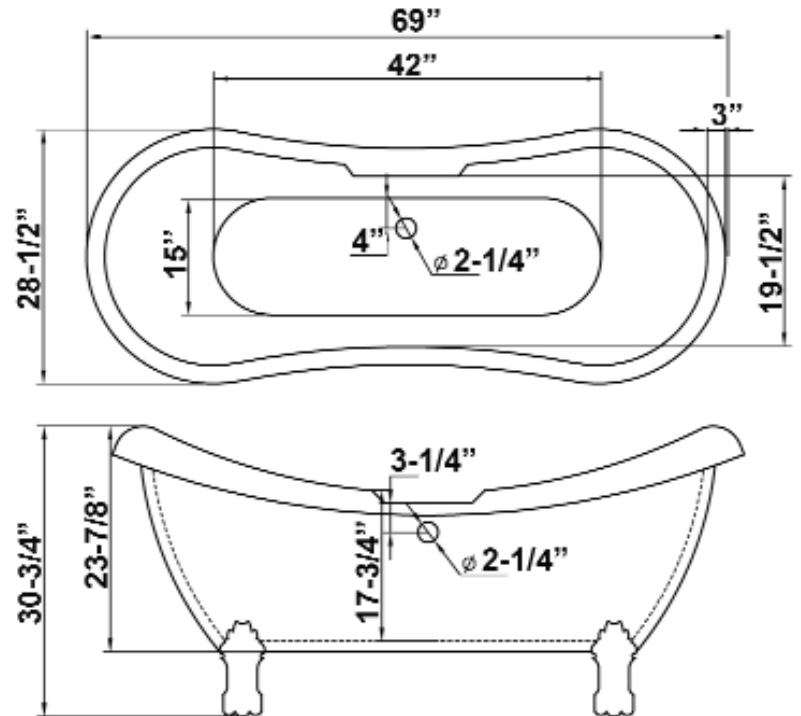
- ▶ Interior and exterior walls acrylic sheets
- ▶ Space between walls partially filled with fiberglass & resin
- ▶ No faucet holes with tap deck
- ▶ No overflow
- ▶ Cast Iron lion paw feet available in 3 finishes
- ▶ Tub is thoroughly inspected before shipment
- ▶ IAPMO Certified



Feet Finishes:

- BN** Brushed Nickel
- PB** Polished Brass
- CP** Polished Chrome
- ORB** Oil Rubbed Bronze

Custom Colors Available (inside of tub is always white enamel):
Painted bathtubs are considered "special order" and are not returnable
\$160 Bisque or Black \$250 Designer Color



Dimensions of fixture are nominal and specifications subject to change without notice.