

**COLIN
70" ACRYLIC DOUBLE
ROLL TOP TUB**

Cat. No.
ADR7H70LP



L: 70"
W: 31-3/4"
H: 24-1/2"

Water depth: 16-1/4" to top of tub
Water depth: 11-3/4" to OF

The following is recommended for ADR7H70LP tubs:

- Rim-mounted faucets: part #4601 or 4201
- Straight bath supplies: part #5577
- Leg tub drain: part #5599LT or 5599TS

| | |
|-------------------|----------|
| Gallon Capacity : | 57 |
| Shipping Weight: | 162 lbs. |
| Empty Weight: | 102 lbs. |
| Filled Weight: | 676 lbs. |



Overflow can be drilled.
With overflow drilled this tub requires drain 5599E.
Tubs that have been drilled with overflow are "special order" and are not returnable.

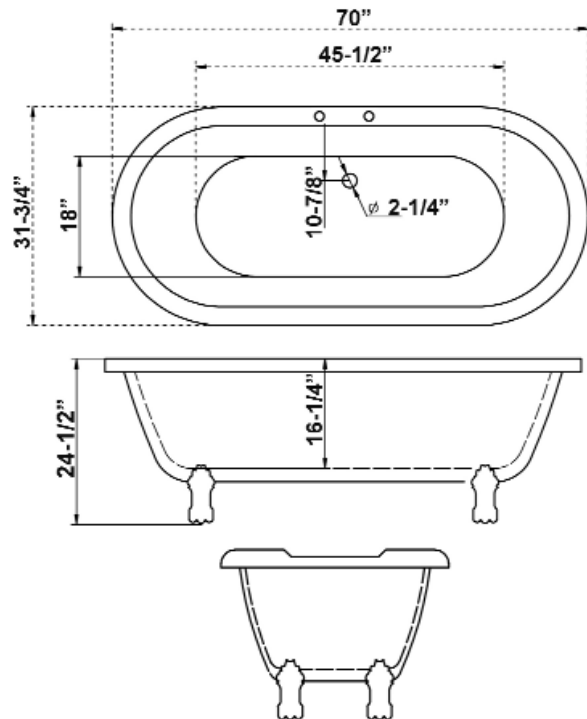
Features:

- ▶ Interior and exterior walls acrylic sheets
- ▶ Space between walls partially filled with fiberglass & resin
- ▶ 7" centers in tub deck and overflow
- ▶ Cast aluminum lion paw feet available in 3 finishes
- ▶ Tub is thoroughly inspected before shipment
- ▶ No overflow

Feet Finishes:

- BN** Brushed Nickel
- CP** Polished Chrome
- PB** Polished Brass
- ORB** Oil Rubbed Bronze

Custom Colors Available (inside of tub is always white enamel):
Painted bathtubs are considered "special order" and are not returnable
\$160 Bisque or Black \$250 Designer Color



Dimensions of fixture are nominal and specifications subject to change without notice.