

KITCHEN DRAIN

Cat. No.
5584



Diameter: 3 1/2"

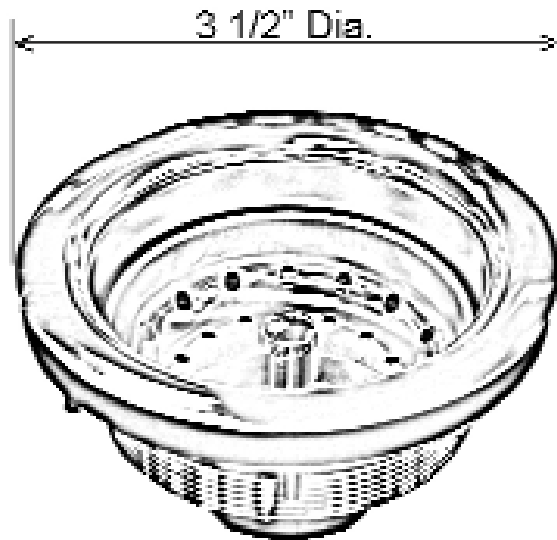
Features:

- ▶ Made of Solid Copper Construction
- ▶ Fits Standard 3 1/2" Drain Opening

Finishes:

AC Antique Copper

Compliance Certification
Material is consistent with
UNS C81100 Copper Casting
Alloy with respect to chemical
composition.



Dimensions and specifications subject to change without notice.