

SENSATION 19-3/4" WALL HUNG BASIN

Cat.No.
SE4-101WH



Faucet not included

W: 19-3/4"
D: 18-1/4"
H: 6-3/8" overall

Features:

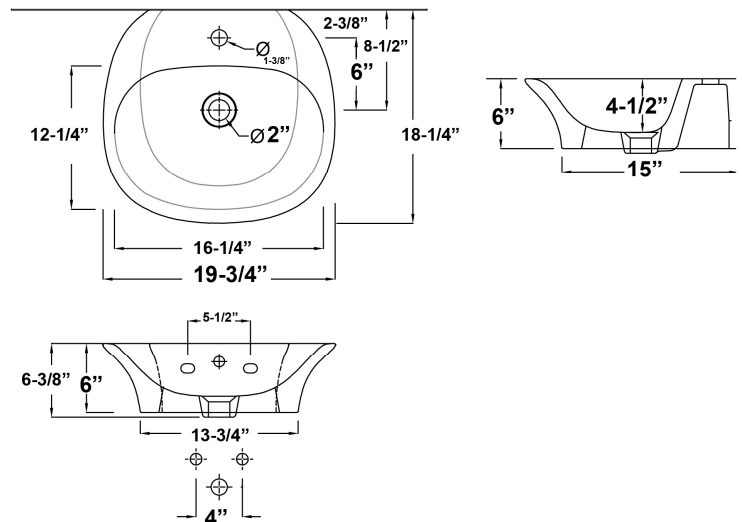
- ▶ Wall hung basin
- ▶ Made of Vitreous China
- ▶ Available for 1 hole (**SE4-101WH**), 4" centerset (**SE4-104WH**)
- ▶ Pre-drilled with 1-3/8" single faucet hole
- ▶ Mounting hardware included
- ▶ Drain not provided
- ▶ For ease installation order bracket (one)
- ▶ RAK mark on the sink
- ▶ Compatible with Grid Drain #5600 or Pop-up drain #57080

Colors
WH White

Meets or exceeds the following specifications: ASME A112.19.2 2018 and CSA B45.1-18 for ceramic plumbing fixtures.

Interior Dimensions:

Basin Interior: 12-1/4" x 16-1/4"
Basin Depth: 4-1/2"
Water depth to overflow: 2-3/8"
Back of basin to center of faucet: 2-3/8"
Back of basin to center of drain: 8-1/2"
Mount holes cc: 5-1/2"
Faucet hole diameter: 1-3/8"
Flange: 1/2"



Dimensions of fixture are nominal and may vary within the range of tolerances established by ASME Standard A112.19.2.2018. Dimensions and specifications subject to change without notice.