

# 37" HARTLEY RECTANGULAR VANITY TOP

Cat. No.  
VT107-WH



## Features:

- ▶ Ceramic Vanity Top
- ▶ Thin edge
- ▶ First grade quality
- ▶ Pre-drilled overflow hole with chrome cap
- ▶ Available pre-drilled for single hole (VT107-WH), 4" centerset (VT108-WH), or 8" widespread (VT109-WH)
- ▶ 5600 suggested drain
- ▶ cUPC Approved

L: 37-<sup>3</sup>/<sub>8</sub>"

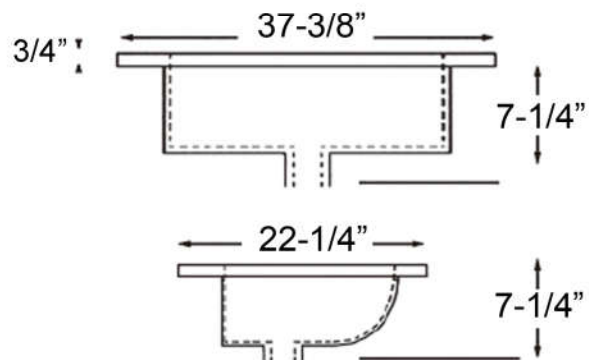
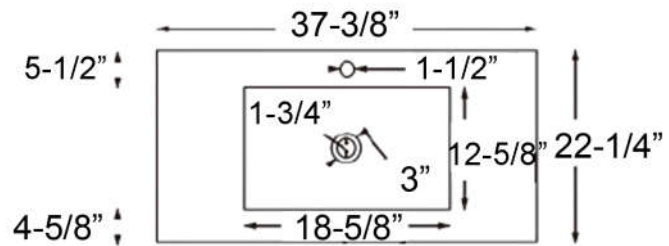
W: 22-<sup>1</sup>/<sub>4</sub>"

H: 7-<sup>1</sup>/<sub>4</sub>"

**Color:**  
WH White



**Compliance Certification**  
Meets or exceeds the following specifications: ASME 12.19.2.2013 for vitreous china fixtures.



## Interior Dimensions:

Basin Interior: 18-<sup>5</sup>/<sub>8</sub>" x 12-<sup>3</sup>/<sub>8</sub>"  
Basin Depth: 5"

Dimensions of fixture are nominal and may vary within the range of tolerances established by ASME Standard A112.19.2.2013. Dimensions and specifications subject to change without notice.