

Duet 67" Cast Iron Double Roll Top Tub with Base

Cat. No.
CTDRNB



L: 66"
W: 31-1/8"
H: 25-1/4" (from floor to top of tub)
17-3/4" (from bottom of tub to top)

Water depth: 14-1/8" to overflow

The following is recommended for CTDRNB tubs with deck holes:

- Faucet: Part# 4602, 4604, or 7082
- Rigid, freestanding supplies: Part# 4502
- Leg tub drain: Part# 5599

Note

To prevent the accumulation of standing water under your tub base we recommend using a bead of silicone between the base and the floor.

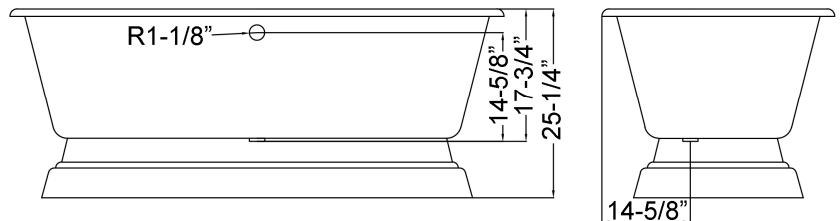
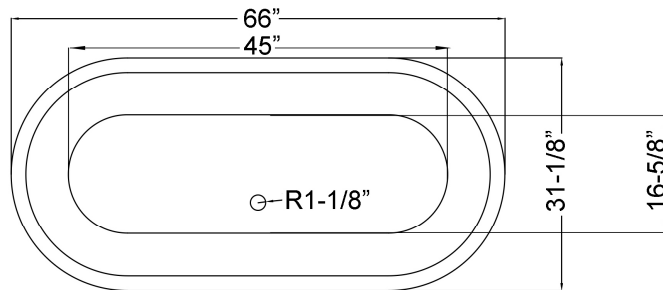
Gallon Capacity: 55
Shipping Weight: 570 lbs.
Empty Weight: 350 lbs.
Filled Weight: 809 lbs.

Features:

- ▶ Inside finish is white enamel
- ▶ Tub exterior is white
- ▶ No faucet holes with tap deck
- ▶ Pre-drilled overflow hole
- ▶ Continuous rolled rim
- ▶ Tub and base combination ships in one pallet
- ▶ Cutout in base for waste and overflow



Custom Colors Available (inside of tub is always white enamel):
Painted bathtubs are considered "special order" and are not returnable
\$160 Bisque or Black \$250 Designer Color



Dimensions and specifications subject to change without notice.

TUB WALL MOUNT FILLER WITH HANDSHOWER

Cat. No.
4602



Adjustable Swivel Mounts

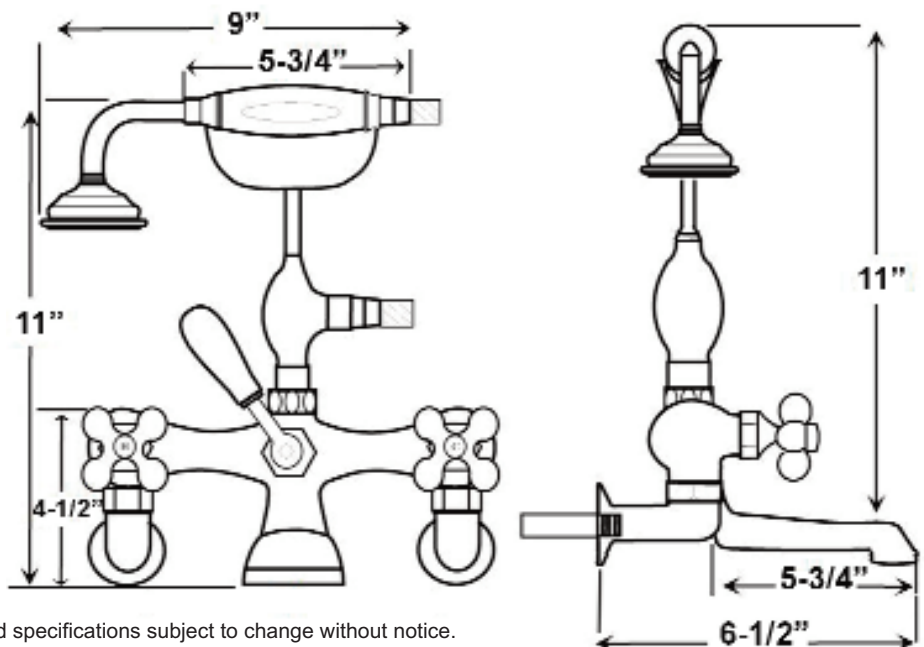
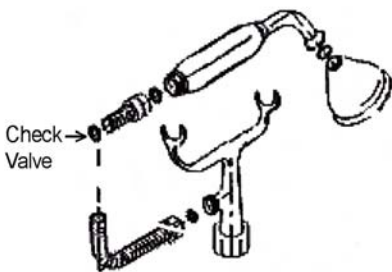
Features:

- ▶ Brass construction
- ▶ Elephant spout length is 5-3/4"
- ▶ Flow rate is 3.7 GPM
- ▶ Available with porcelain lever (**4602-PL**) or metal cross handles (**4602-MC**)
- ▶ Telephone handshower with cradle and hose
- ▶ Handshower flow rate 2.5 GPM
- ▶ Handshower includes backflow preventer
- ▶ Swivel mounts adjust centers from 3" to 12"
- ▶ Faucet centers are 7" without swivel mounts
- ▶ For tub wall mount installation
- ▶ 1/4 turn ceramic disc cartridges
- ▶ To be used with double offset bath supplies, **Part #5576**
- ▶ This faucet can also be used with rigid freestanding supplies, **Part #4502** with adjustable swivel mounts removed

Finishes:

BP Polished Brass
CP Polished Chrome
ORB Oil Rubbed Bronze

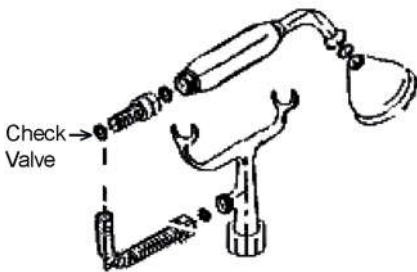
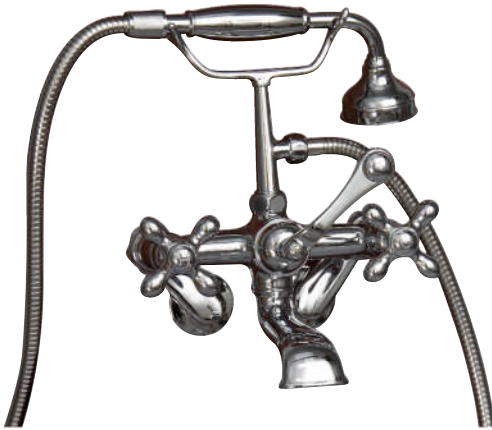
SN Brushed Nickel
PN Polished Nickel



Dimensions are nominal and may vary. Dimensions and specifications subject to change without notice.

TUB WALL MOUNT FILLER WITH HANDSHOWER

Cat. No.
4604



Features:

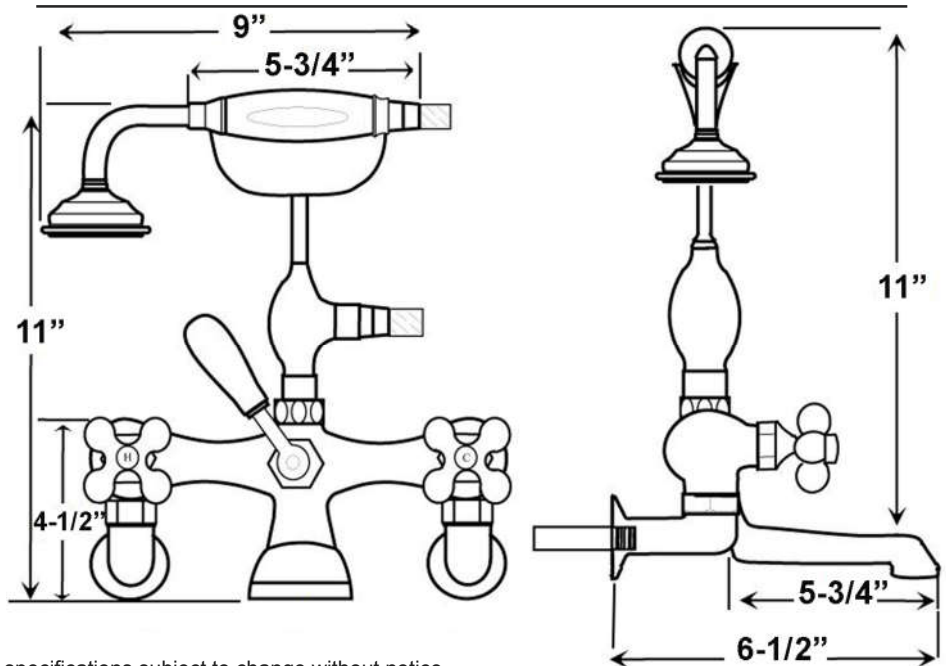
- ▶ Brass construction
- ▶ Elephant spout length is 5-3/4"
- ▶ Flow rate is 3.7 GPM
- ▶ Available with metal cross handles (**4604-MC**) or metal lever handles in 2 different styles (**4604-ML, 4604-ML2**)
- ▶ Metal cross handles feature "H" and "C" for hot and cold
- ▶ Metal telephone style hand shower with cradle and hose
- ▶ Handshower flow rate 2.5 GPM
- ▶ Handshower includes backflow preventer
- ▶ Swivel Mounts adjust centers from 3" to 12"
- ▶ Faucet centers are 7" without swivel mounts
- ▶ For tub wall installation
- ▶ 1/4 Turn ceramic disc cartridges
- ▶ To be used with double offset bath supplies, **Part #5576**
- ▶ This faucet can also be used with rigid freestanding supplies, **Part #4502** with adjustable swivel mounts removed

Finishes:

- BP** Polished Brass
- SN** Brushed Nickel
- CP** Polished Chrome
- PN** Polished Nickel
- ORB** Oil Rubbed Bronze



Adjustable Swivel Mounts



Dimensions are nominal and may vary. Dimensions and specifications subject to change without notice.

FREESTANDING BATH SUPPLIES

Cat. No.
4502-PL



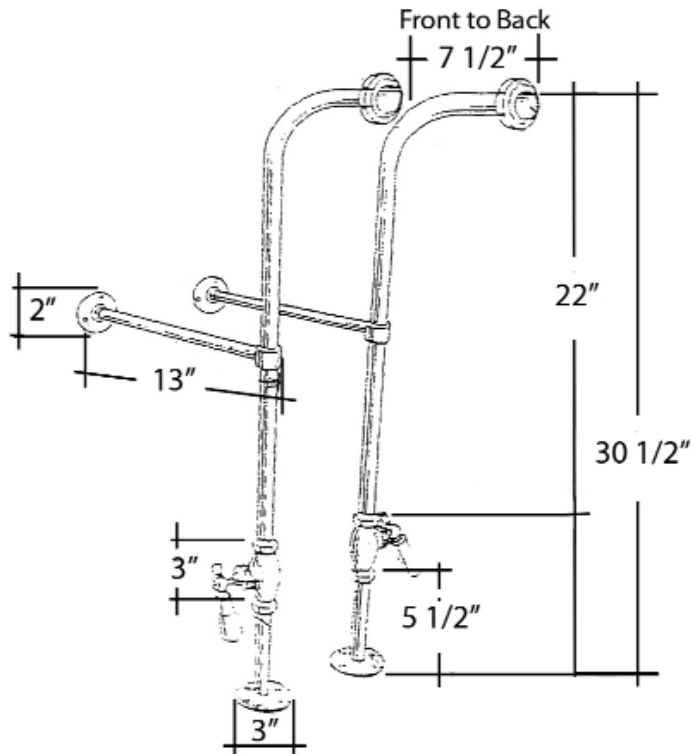
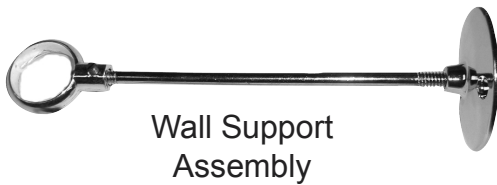
Features:

- ▶ 5" Shaft included
 - ▶ Stops included
 - ▶ 1/2" Pipe thread inlet
 - ▶ 3/4" Flare outlet
 - ▶ Wall support assemblies included
 - ▶ Porcelain lever handles
 - ▶ Available in 5 finishes
 - ▶ Should not be used with leg tubs that have factory drilled holes.
- ▶ 0.800" Outer diameter
 - ▶ 0.595" Inner diameter
 - ▶ 0.090" Thickness of wall

Finishes:

- CP Polished Chrome
- PN Polished Nickel
- BP Polished Brass
- ORB Oil Rubbed Bronze
- SN Brushed Nickel

H: 30" (30-1/2" with nut)



Use on concrete floors requires special installation. We recommend using a plumbing professional.

Dimensions are nominal and may vary. Dimensions and specifications subject to change without notice.

LEG TUB DRAIN

Cat. No.
5599



Escutcheon Height: 1-1/4"

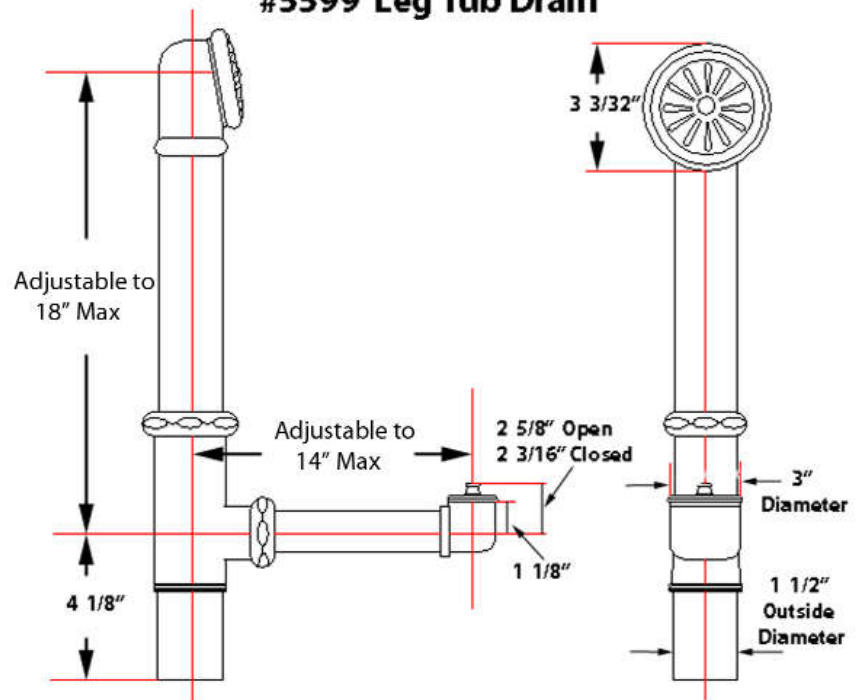
Features:

- ▶ Brass Construction
- ▶ Twist-and-lift stopper
- ▶ Includes deep escutcheon
- ▶ Height adjustable 15"-18"
- ▶ Depth adjustable 12"-14"
- ▶ Includes deep escutcheon
- ▶ Available in 5 Finishes

Finishes:

- CP Polished Chrome
- BP Polished Brass
- SN Brushed Nickel
- PN Polished Nickel
- ORB Oil Rubbed Bronze

#5599 Leg Tub Drain



Dimensions and specifications subject to change without notice.