

Duet 67" Cast Iron Double Roll Top Tub with Base

Cat. No.
CTDRHB



L: 66"
W: 31-1/8"
H: 25-1/4" (from floor to top of tub)
17-3/4" (from bottom of tub to top)

Water depth: 14-1/8" to overflow

Features:

- ▶ Inside finish is white enamel
- ▶ Tub exterior is white
- ▶ 7" centers in tub deck in center of long side
- ▶ Pre-drilled overflow
- ▶ Tub and base combination ships in one pallet
- ▶ Cutout in base for waste and overflow



Custom Colors Available (inside of tub is always white enamel):
Painted bathtubs are considered "special order" and are not returnable
\$160 Bisque or Black \$250 Designer Color

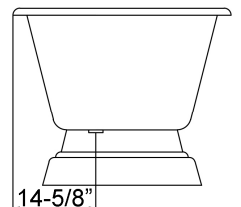
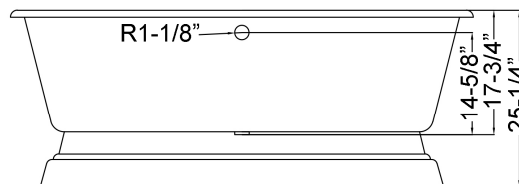
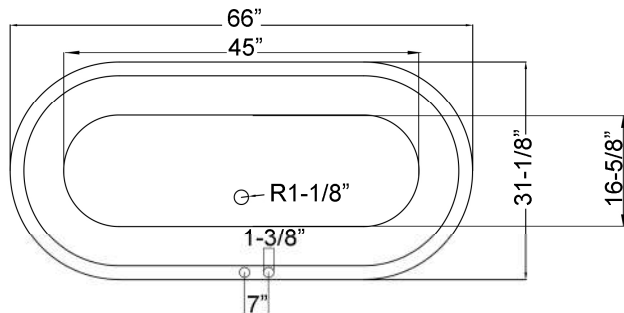
The following is recommended for
CTDRHB tubs with deck holes:

- Rim-mounted faucet: part #4601 or 4201
- Straight bath supplies: part #5577
- Leg tub drain: part #5599

Note

To prevent the accumulation of standing water under your tub base we recommend using a bead of silicone between the base and the floor.

Gallon Capacity: 55
Shipping Weight: 570 lbs.
Empty Weight: 350 lbs.
Filled Weight: 809 lbs.



Dimensions and specifications subject to change without notice.

TUB RIM MOUNT FILLER WITH HANDSHOWER

Cat. No.
4601



Features:

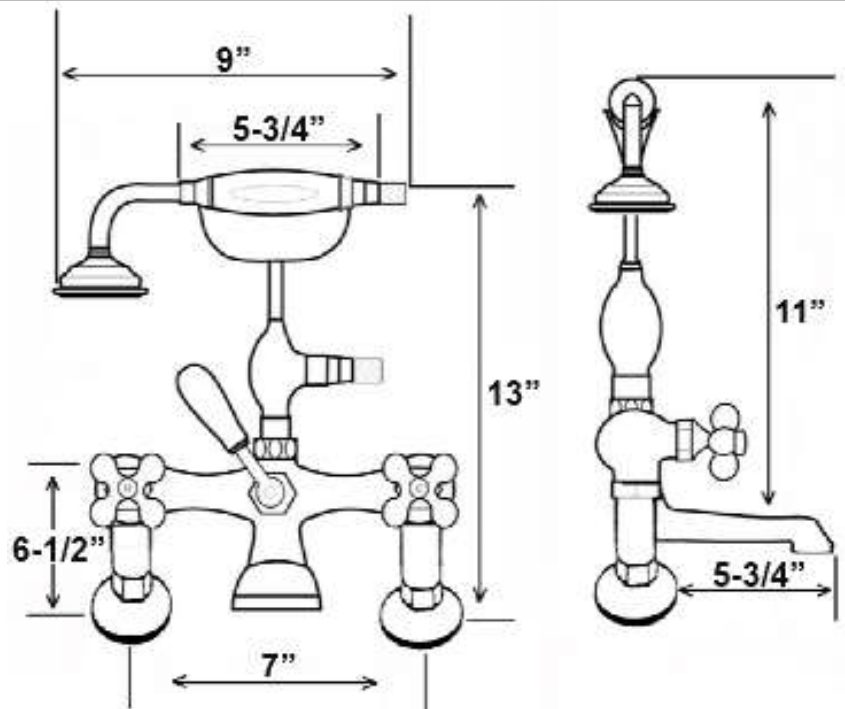
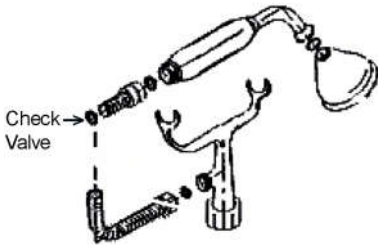
- ▶ Brass construction
- ▶ Elephant spout length is 5-3/4"
- ▶ Flow rate is 3.7 GPM
- ▶ Available with porcelain lever (**4601- PL**) or metal cross lever handles (**4601-MC**)
- ▶ Telephone handshower with cradle and hose
- ▶ Handshower flow rate 2.5 GPM
- ▶ Handshower includes backflow preventer
- ▶ 6" Elbow mounts included
- ▶ 7" Centers for deck mounting on acrylic or cast iron tubs
- ▶ 1/4 Turn ceramic disc cartridges
- ▶ To be used with straight bath supplies, **Part #5577**

Finishes:

BP Polished Brass	PN Polished Nickel
CP Polished Chrome	ORB Oil Rubbed Bronze
SN Brushed Nickel	



6" Elbow Mounts



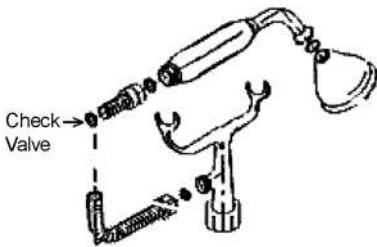
Dimensions are nominal and may vary. Dimensions and specifications subject to change without notice.

TUB RIM MOUNT FILLER WITH HANDSHOWER

Cat. No.
4603



6" Elbow Mounts



Features:

- ▶ Brass construction
- ▶ Elephant spout length is 5-3/4"
- ▶ Flow rate is 3.7 GPM
- ▶ Available with metal cross handles (**4603-MC**) or metal lever handles in 2 different styles (**4603-ML**, **4603-ML2**)
- ▶ Metal cross handles feature "H" and "C" for hot and cold
- ▶ Metal telephone style hand shower with cradle and hose
- ▶ Handshower flow rate is 2.5 GPM
- ▶ Handshower includes backflow preventer
- ▶ 6" Elbow mounts included
- ▶ 7" Centers for deck mounting on acrylic or cast iron tubs
- ▶ 1/4 Turn ceramic disc cartridges
- ▶ To be used with straight bath supplies, **Part #5577**

Finishes:

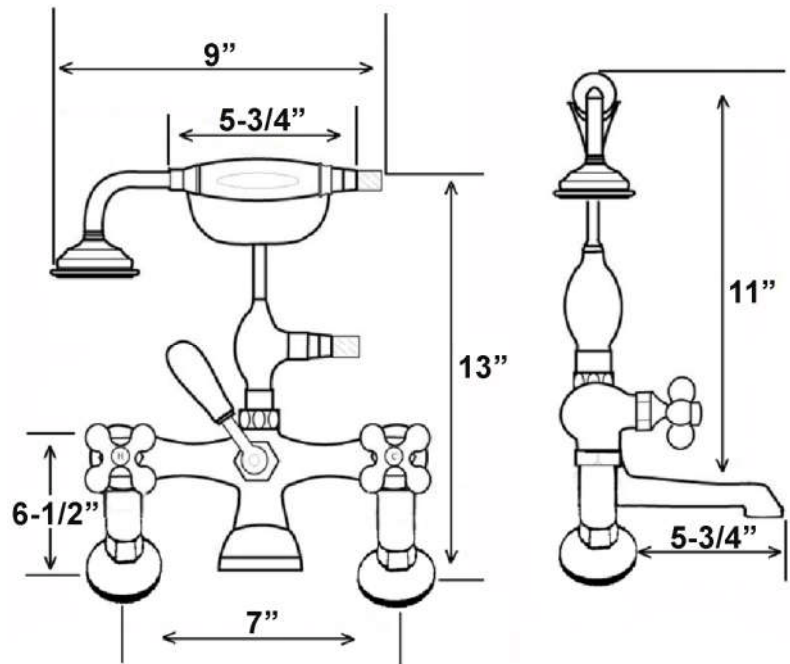
- BP** Polished Brass
- PN** Polished Nickel
- CP** Polished Chrome
- ORB** OilRubbedBronze
- SN** Brushed Nickel



(ML)



(ML2)



Dimensions are nominal and may vary. Dimensions and specifications subject to change without notice.

STRAIGHT BATH SUPPLIES

Cat.No.

5577



H: 24"

OD: 1/2"

Interior Dimensions:

Basin Interior: 13" x 11 7/8"

Basin Depth: 7 1/2"

Mount bolts height: 30"

Mount holes cc: 6"

Spout hole: 1 3/8"

Features:

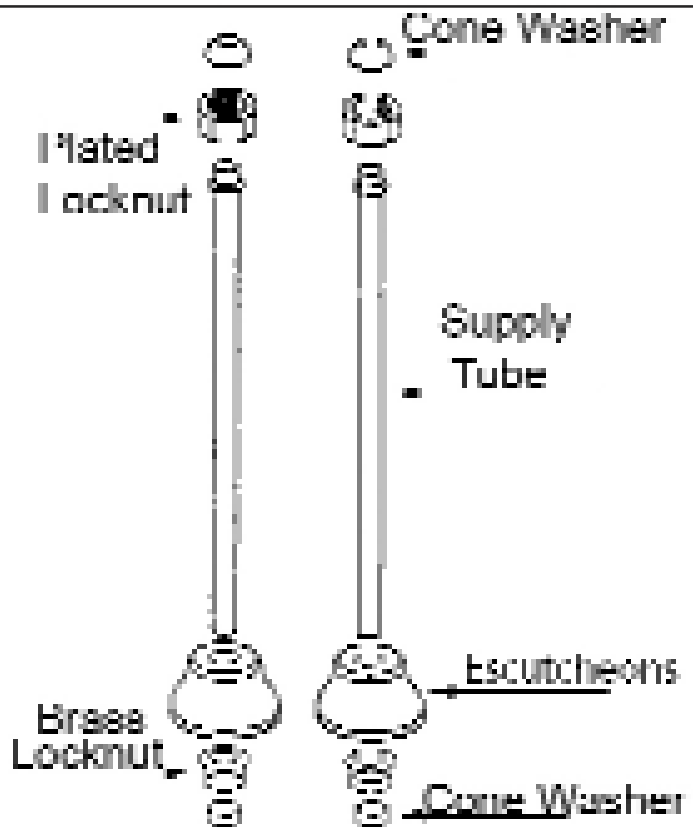
- ▶ For use with faucets mounted to the tub deck
- ▶ No stops
- ▶ 1/2" Compression inlet
- ▶ 3/4" Compression outlet
- ▶ Bottom flange 2-1/2" diameter
- ▶ 0.500" Outer diameter
- ▶ 0.400" Inner diameter
- ▶ 0.030" Thickness of the wall
- ▶ Available in 5 Finishes

Compliance Certification

Meets or exceeds the following specifications: ASME-A112 (and 19.6M) for Vitreous china fixtures. ASME 112.19.9M for fire clay fixtures.

Finishes:

- CP Polished Chrome
- SN Brushed Nickel
- BP Polished Brass
- ORB Oil Rubbed Bronze
- PN Polished Nickel



Use on concrete floors requires special installation. We recommend using a plumbing professional.

Dimensions and specifications subject to change without notice.

LEG TUB DRAIN

Cat. No.
5599



Escutcheon Height: 1-1/4"

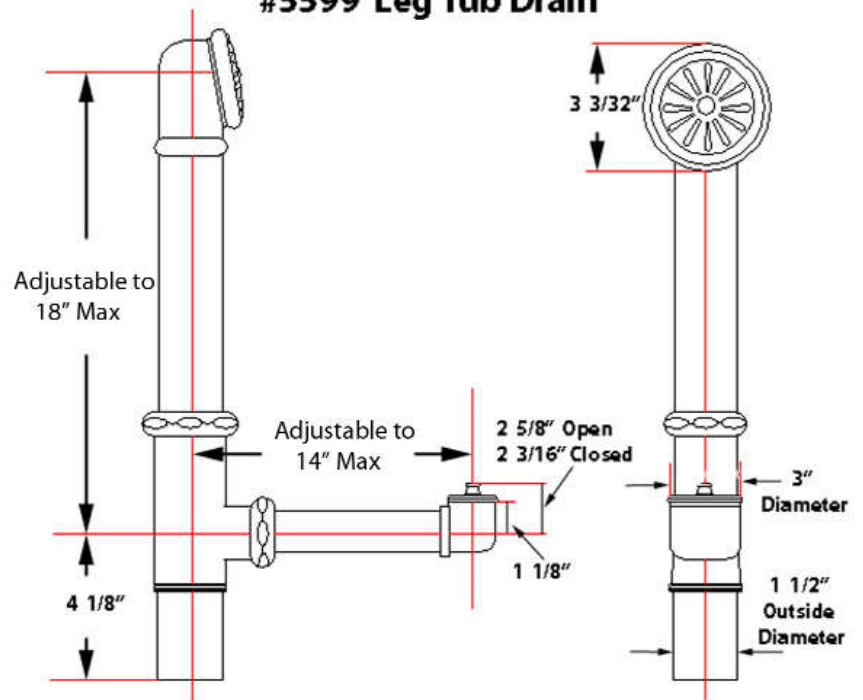
Features:

- ▶ Brass Construction
- ▶ Twist-and-lift stopper
- ▶ Includes deep escutcheon
- ▶ Height adjustable 15"-18"
- ▶ Depth adjustable 12"-14"
- ▶ Includes deep escutcheon
- ▶ Available in 5 Finishes

Finishes:

- CP Polished Chrome
- BP Polished Brass
- SN Brushed Nickel
- PN Polished Nickel
- ORB Oil Rubbed Bronze

#5599 Leg Tub Drain



Dimensions and specifications subject to change without notice.