

# 61" COLUMBUS CAST IRON DOUBLE ROLL TOP TUB

Cat. No.  
CTDR7H61



## Features:

- ▶ Inside finish is white enamel
- ▶ Cast Iron imperial feet
- ▶ Tub exterior is white (expoxy)
- ▶ Pre-drilled overflow hole
- ▶ 7" centers in tub deck
- ▶ Feet are attached and leveled before shipment
- ▶ Tub is thoroughly inspected before shipment

## Foot Finishes:

**UF** Unfinished  
**BL** Painted Black  
**BQ** Painted Bisque  
**PB** Polished Brass



**CP** Polished Chrome  
**WH** Painted White  
**PN** Polished Nickel  
**SN** Brushed Nickel  
**ORB** Oil Rubbed Bronze

L: 60"  
W: 30-1/8"  
H: 22-1/2" (from floor to top of tub)  
17-3/8" (from bottom of tub to top of tub)

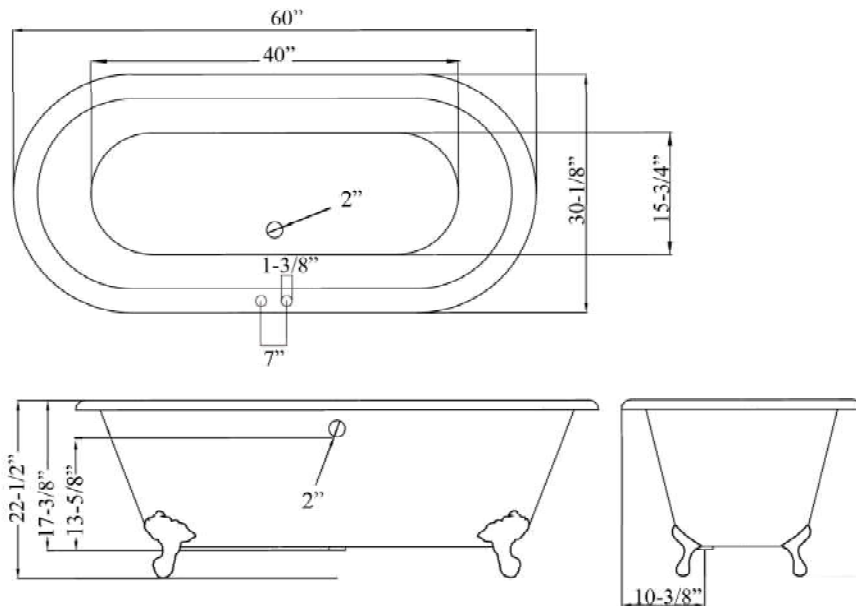
Water depth: 17-3/8" to top of tub  
Water depth: 13-5/8" to overflow

**Custom Colors Available** (inside of tub is always white enamel):  
Painted bathtubs are considered "special order" and are not returnable  
\$160 Bisque or Black \$250 Designer Color

The following is recommended for  
**CTDR7H61 tubs:**

- Rim-mounted faucet: part #4601 or 4201
- Straight bath supplies: part #5577
- Leg tub drain: part #5599

Gallon Capacity: 60  
Shipping Weight: 480 lbs.  
Empty Weight: 300 lbs.  
Filled Weight: 801 lbs.



# TUB RIM MOUNT FILLER WITH HANDSHOWER

Cat. No.  
4601



## Features:

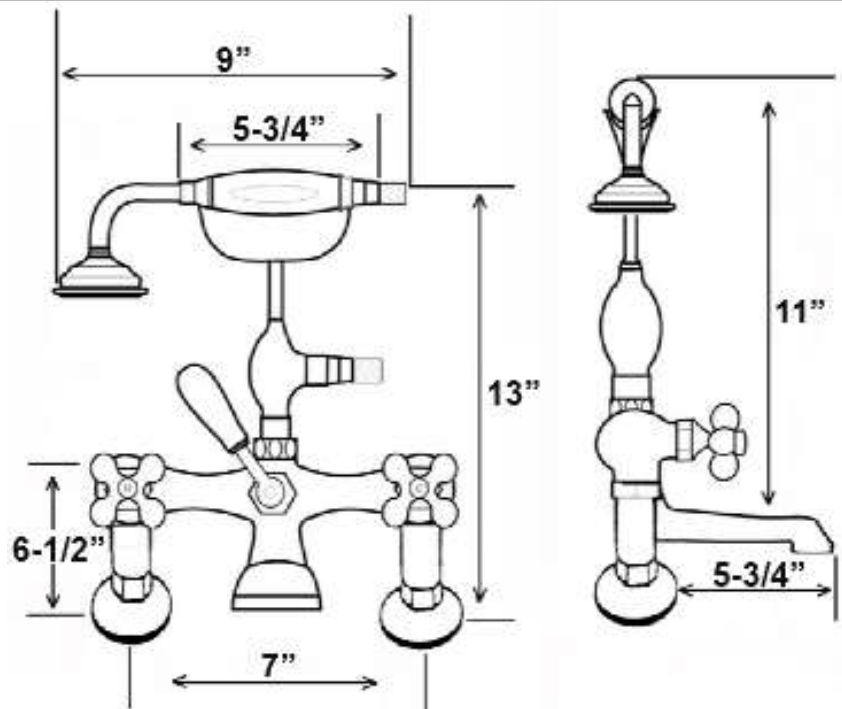
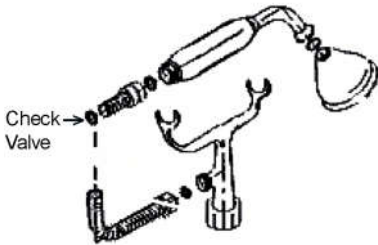
- ▶ Brass construction
- ▶ Elephant spout length is 5-3/4"
- ▶ Flow rate is 3.7 GPM
- ▶ Available with porcelain lever (**4601- PL**) or metal cross lever handles (**4601-MC**)
- ▶ Telephone handshower with cradle and hose
- ▶ Handshower flow rate 2.5 GPM
- ▶ Handshower includes backflow preventer
- ▶ 6" Elbow mounts included
- ▶ 7" Centers for deck mounting on acrylic or cast iron tubs
- ▶ 1/4 Turn ceramic disc cartridges
- ▶ To be used with straight bath supplies, **Part #5577**

## Finishes:

<b>BP</b> Polished Brass	<b>PN</b> Polished Nickel
<b>CP</b> Polished Chrome	<b>ORB</b> Oil Rubbed Bronze
<b>SN</b> Brushed Nickel	



6" Elbow Mounts



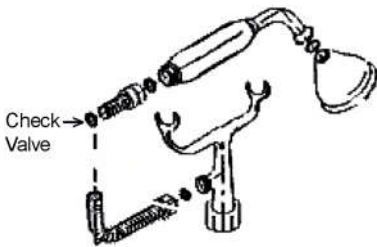
Dimensions are nominal and may vary. Dimensions and specifications subject to change without notice.

# TUB RIM MOUNT FILLER WITH HANDSHOWER

Cat. No.  
4603



6" Elbow Mounts



## Features:

- ▶ Brass construction
- ▶ Elephant spout length is 5-3/4"
- ▶ Flow rate is 3.7 GPM
- ▶ Available with metal cross handles (**4603-MC**) or metal lever handles in 2 different styles (**4603-ML**, **4603-ML2**)
- ▶ Metal cross handles feature "H" and "C" for hot and cold
- ▶ Metal telephone style hand shower with cradle and hose
- ▶ Handshower flow rate is 2.5 GPM
- ▶ Handshower includes backflow preventer
- ▶ 6" Elbow mounts included
- ▶ 7" Centers for deck mounting on acrylic or cast iron tubs
- ▶ 1/4 Turn ceramic disc cartridges
- ▶ To be used with straight bath supplies, **Part #5577**

## Finishes:

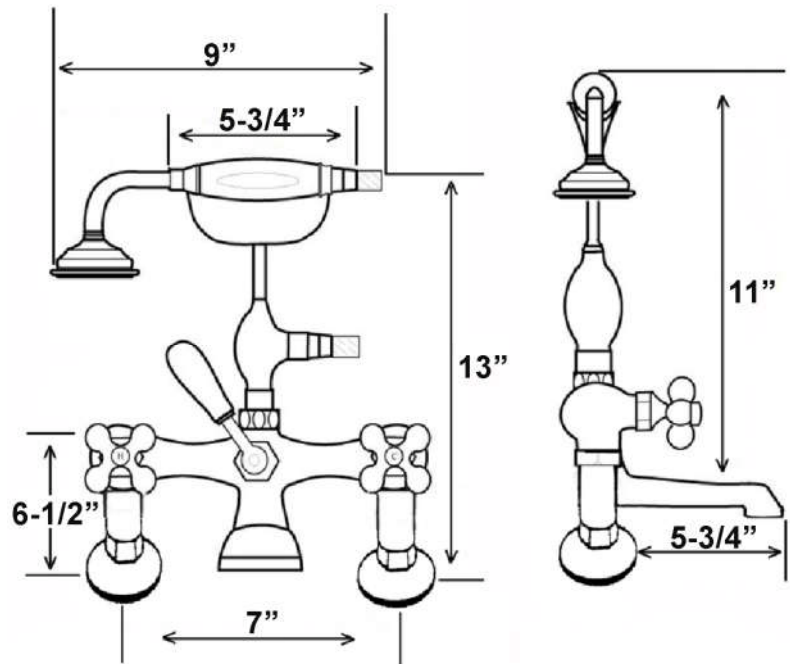
- BP** Polished Brass
- PN** Polished Nickel
- CP** Polished Chrome
- ORB** OilRubbedBronze
- SN** Brushed Nickel



(ML)



(ML2)



Dimensions are nominal and may vary. Dimensions and specifications subject to change without notice.

# STRAIGHT BATH SUPPLIES

Cat.No.

5577



H: 24"

OD: 1/2"

### Interior Dimensions:

Basin Interior: 13" x 11 7/8"

Basin Depth: 7 1/2"

Mount bolts height: 30"

Mount holes cc: 6"

Spout hole: 1 3/8"

### Features:

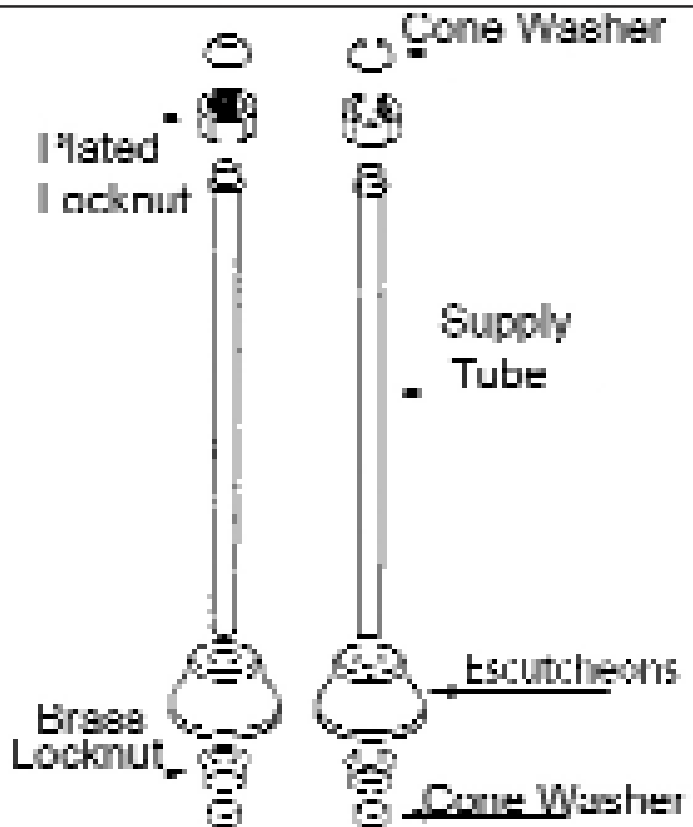
- ▶ For use with faucets mounted to the tub deck
- ▶ No stops
- ▶ 1/2" Compression inlet
- ▶ 3/4" Compression outlet
- ▶ Bottom flange 2-1/2" diameter
- ▶ 0.500" Outer diameter
- ▶ 0.400" Inner diameter
- ▶ 0.030" Thickness of the wall
- ▶ Available in 5 Finishes

### Compliance Certification

Meets or exceeds the following specifications: ASME-A112 (and 19.6M) for Vitreous china fixtures. ASME 112.19.9M for fire clay fixtures.

### Finishes:

- CP Polished Chrome
- SN Brushed Nickel
- BP Polished Brass
- ORB Oil Rubbed Bronze
- PN Polished Nickel



**Use on concrete floors requires special installation. We recommend using a plumbing professional.**

Dimensions and specifications subject to change without notice.

# LEG TUB DRAIN

Cat. No.  
5599



Escutcheon Height: 1-1/4"

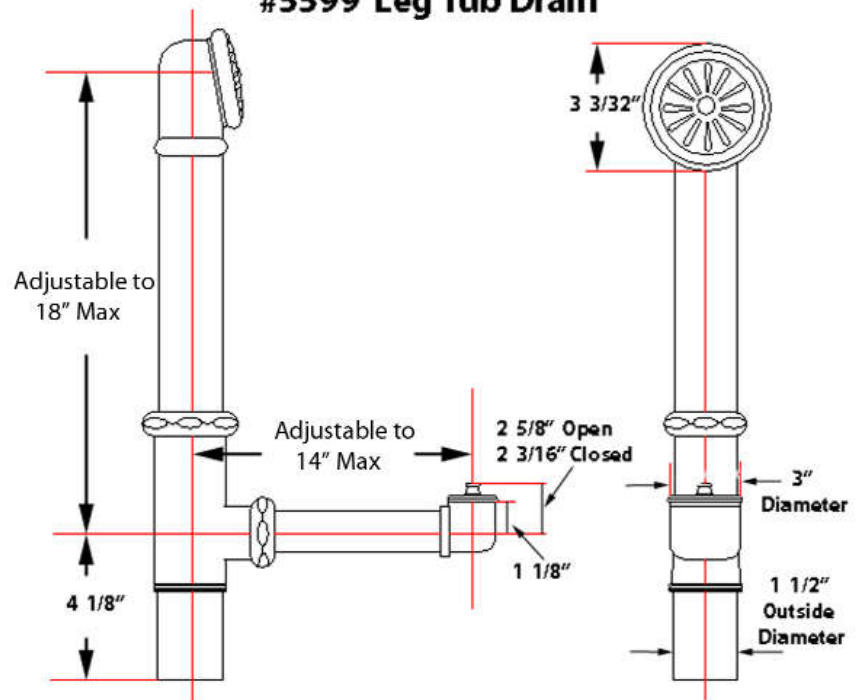
## Features:

- ▶ Brass Construction
- ▶ Twist-and-lift stopper
- ▶ Includes deep escutcheon
- ▶ Height adjustable 15"-18"
- ▶ Depth adjustable 12"-14"
- ▶ Includes deep escutcheon
- ▶ Available in 5 Finishes

## Finishes:

- CP Polished Chrome
- BP Polished Brass
- SN Brushed Nickel
- PN Polished Nickel
- ORB Oil Rubbed Bronze

## #5599 Leg Tub Drain



Dimensions and specifications subject to change without notice.