

67" TIMON FREESTANDING RESIN TUB

Cat. No.
RTRECN67



L: 67"
W: 31-1/2"
H: 21-5/8"

Water depth: 17" to top of tub
Water depth: 13-5/8" to overflow
Overflow slot diameter: 3"
Center of drain to back of rim: 17"
Bottom of drain to back to floor: 3-1/4"
Bathing well to floor: 5"

Features:

- ▶ Poly-resin blend is the same color throughout
- ▶ Rim measurement: 1"
- ▶ Angle slope of tub: 20°
- ▶ Continuous rim
- ▶ Available in Matte or Gloss finish
- ▶ No faucet holes
- ▶ Built-in overflow slot
- ▶ Includes white pop-up drain
- ▶ Tub is thoroughly inspected before shipment
- ▶ Not compatible with the air jet system

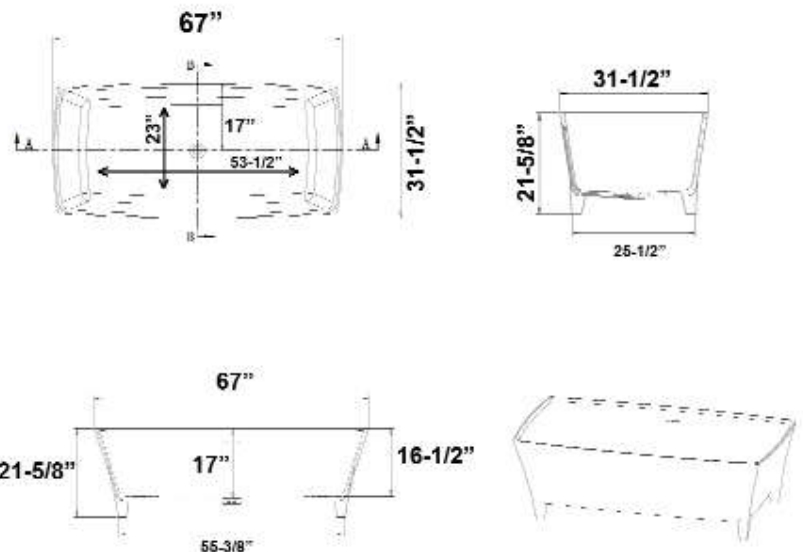
Tub Colors:

WH Matte White
WHGL Gloss White

The following is recommended for RTRECN67 soaking tubs:

- Faucets: part #7082 or 7088
- Freestanding Bath Supplies: #4502
- Freestanding Filler: #7901, 7922, or 7952
(Does Not Need Bath Supplies)

Gallon Capacity : 85
Shipping Weight: 388 lbs.
Empty Weight: 330 lbs.
Filled Weight: 1035 lbs.



Dimensions of fixture are nominal and specifications subject to change without notice.