

WINGATE 59" RESIN FREESTANDING TUB

Cat.No.
RTDRN59B



L: 59"
W: 31"
H: 24"

Water depth: 18-1/4" to top of tub
Water depth: 14-3/4" to overflow
Overflow hole diameter: 3"
Center drain to back of rim: 17-1/2"
Bottom of drain to floor: 3-1/4"
Bathing well to floor: 3-1/2"

**The following is recommended for
RTDRN59B tubs:**

- Faucets: part #7082, #7088, or #4602
- Rigid, Freestanding Supplies: part #4502, #5576
- Freestanding filler: part #7901, 7922, 7952, or 7932
(Does not need bath supplies)

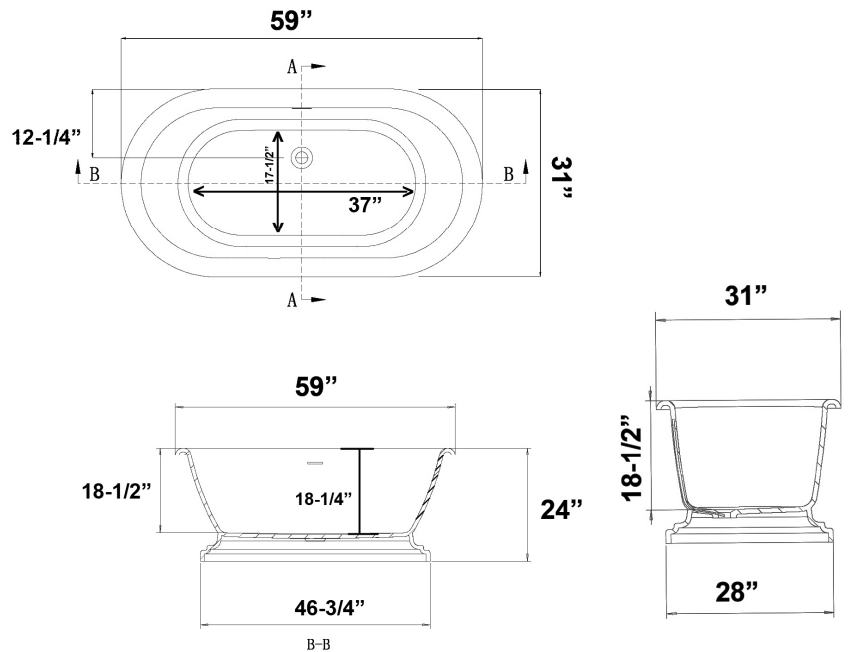
Gallon Capacity : 66
Shipping Weight: 358 lbs.
Empty Weight: 266 lbs.
Filled Weight: 813 lbs.

Features:

- ▶ Made of poly-resin blend that is the same color throughout
- ▶ Rim thickness: 3"
- ▶ Continuous rim
- ▶ Angle slope of tub: 24°
- ▶ Available in Matte or Gloss finish
- ▶ Integrated base included
- ▶ No faucet holes
- ▶ Built-in overflow slot
- ▶ Includes white pop-up drain
- ▶ Tub is thoroughly inspected before shipment
- ▶ Not compatible with the air jet system

Tub Colors:

WH Matte White
WHGL Gloss White



Dimensions of fixture are nominal and specifications subject to change without notice.

05/20/2020

P 847•244•1234

www.barclayproducts.com