

# SABLE KITCHEN FAUCET

Cat. No.  
KFS400



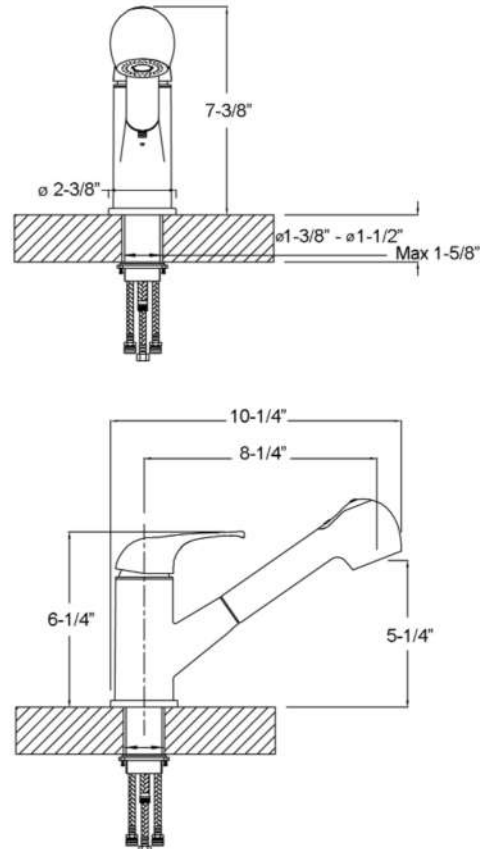
W: 2-<sup>3</sup>/<sub>8</sub>"  
D: 10-<sup>1</sup>/<sub>4</sub>"  
H: 7-<sup>3</sup>/<sub>8</sub>"

## Features:

- ▶ Constructed of solid brass
- ▶ Magnetic pull down spray
- ▶ Spray head has two functions
- ▶ Includes 2 braided hoses
- ▶ Hoses have <sup>3</sup>/<sub>8</sub>" female connectors
- ▶ Ceramic cartridge
- ▶ Height to spout: 5-<sup>1</sup>/<sub>4</sub>"
- ▶ Spout reach: 8-<sup>1</sup>/<sub>4</sub>"
- ▶ Flow rate is 1.8 GPM at 60 psi
- ▶ Available in 3 finishes
- ▶ Cold hose length: 12-<sup>3</sup>/<sub>4</sub>", Hot hose length: 10-<sup>1</sup>/<sub>2</sub>"

## Finishes:

- CP** Polished Chrome
- BN** Brushed Nickel
- ORB** Oil Rubbed Bronze



Dimensions of fixture are nominal and may vary. Dimensions and specifications subject to change without notice.