

# 60" WALL HUNG CAST IRON SINK WITH DRAINBOARD

Cat. No.  
KCI60



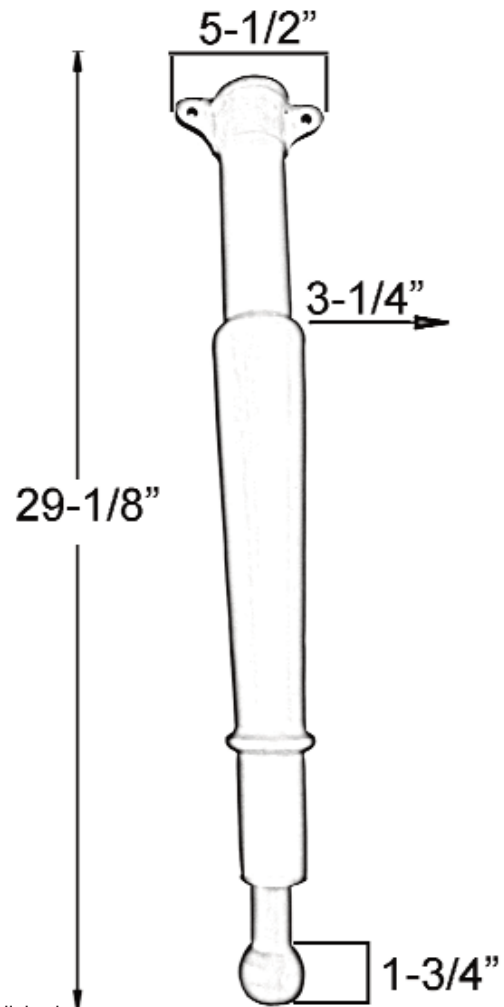
Adjustable leg height:  $29\frac{1}{8}" - 36\frac{1}{4}"$   
Width:  $2\frac{1}{4}"$

### Leg Dimensions

Top:  $5\frac{1}{2}"$   
Bottom:  $1\frac{3}{4}"$

### Features:

- ▶ Constructed of cast Iron with enamel coating
- ▶ For use with Alma 60" sink
- ▶ Adjustable feet
- ▶ Hardware not included



Dimensions of fixture are nominal and may vary within the range of tolerances established.