

30" AMANDA SINGLE BOWL FARMER SINK

Cat. No
FSSSB2020-SS



W: 29-3/4"

D: 20-3/4"

H: 10"

***Please do NOT cut hole without template or actual product.**

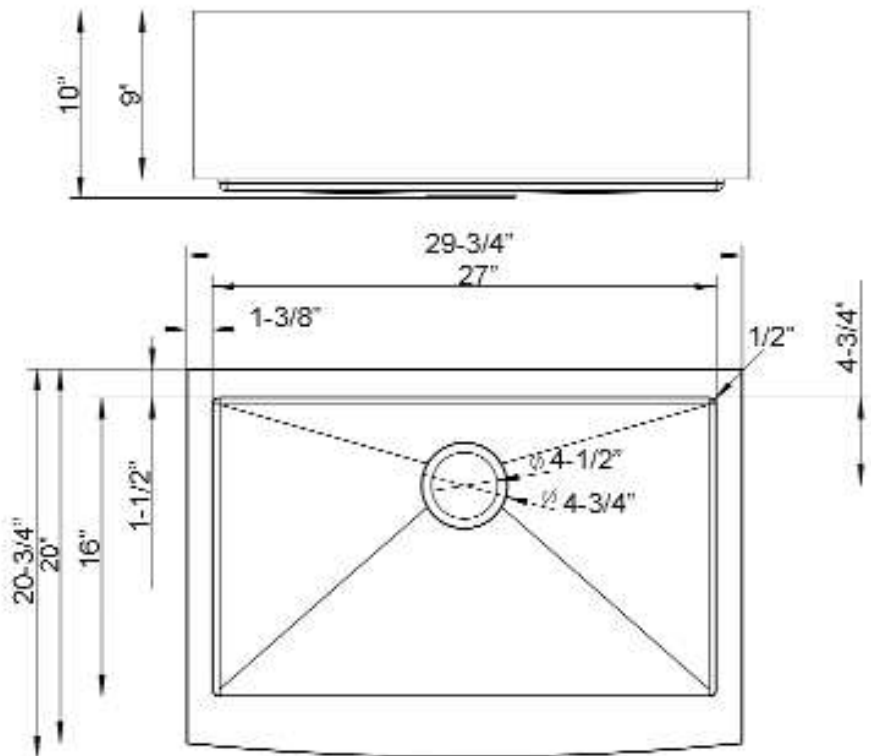
Interior Dimensions:

Basin Interior: 27" W x 16" D

Basin Depth: 9"

Features:

- ▶ Solid 16 gauge, 304 grade metal construction
- ▶ Tight radius corners
- ▶ Template included
- ▶ Easy maintenance with matte finish
- ▶ Curved bowl
- ▶ Rim width is 1-1/2"
- ▶ Drain is 3-1/2"
- ▶ Wire grid available to purchase separately, **FSSSB2020-Wire**



Dimensions of fixture are nominal and may vary within the range of tolerances established by ANSI Standard A112.19.2. Dimensions and specifications subject to change without notice.