

36" DAMITA DOUBLE BOWL FARMER SINK

Cat. No
FSSDB2512-SS



W: 36"

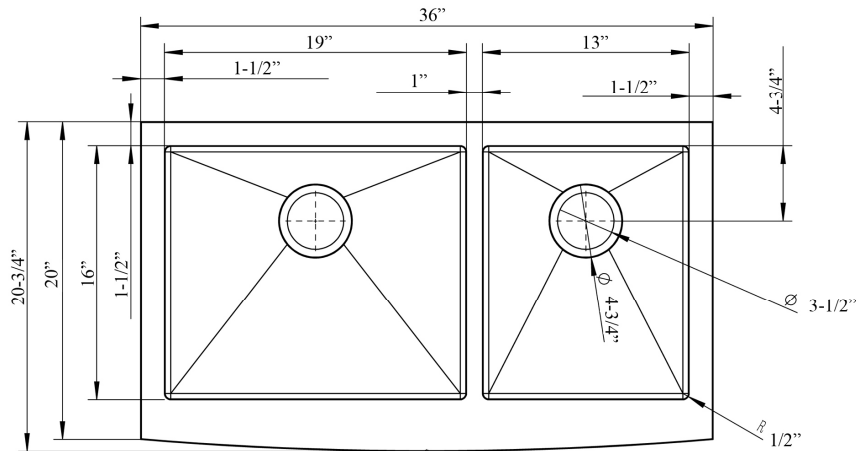
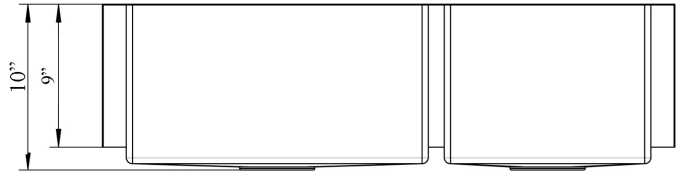
D: 20-3/4"

H: 10"

Features:

- ▶ Solid 16 gauge, 304 grade metal construction
- ▶ Tight radius corners
- ▶ Template included
- ▶ Easy maintenance with matte finish
- ▶ Insulated for sound reduction
- ▶ Curved bowl
- ▶ Rim width is 1-1/2"
- ▶ Drain is 3-1/2"
- ▶ 60/40 offset
- ▶ Wire grid available to purchase separately, **FSSDB2512-Wire**

***Please do NOT cut hole without template or actual product.**



Interior Dimensions:

Large

Basin Interior: 19" W x 16" D
Basin Depth: 9"

Small

Basin Interior: 13" W x 16" D
Basin Depth: 9"

Dimensions of fixture are nominal and may vary within the range of tolerances established by ANSI Standard A112.19.2. Dimensions and specifications subject to change without notice.