

**72" RANDALL
CAST IRON
DOUBLE SLIPPER TUB**

Cat. No.
CTDSN74B



L: 72"
W: 30-1/4"
H: 24-7/8" - 28-1/2" (from floor to top of tub)

Water depth: 19" to top of tub
Water depth: 13-3/4" to overflow

The following is recommended for CTDSN74B tubs:

- Faucet: part #4602, 4604 or 7082
- Rigid, freestanding supplies: part #4502
- Leg tub drain: part #5599E

Note
To prevent the accumulation of standing water under your tub base we recommend using a bead of silicone between the base and the floor.

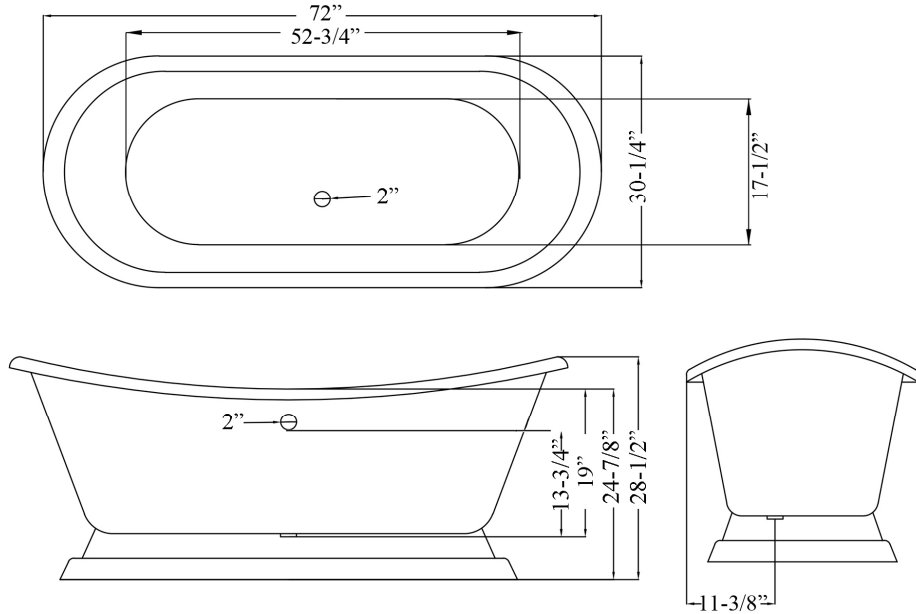
Gallon Capacity: 53
Shipping Weight: 565 lbs.
Empty Weight: 340 lbs.
Filled Weight: 783 lbs.

Features:

- ▶ Inside finish is white enamel
- ▶ Tub is on cast iron pedestal
- ▶ Tub exterior is white (epoxy)
- ▶ No faucet holes with a continuous rolled rim
- ▶ Tub is thoroughly inspected before shipment



Custom Colors Available (inside of tub is always white enamel):
Painted bathtubs are considered "special order" and are not returnable
\$160 Bisque or Black \$250 Designer Color



Dimensions of fixture are nominal and may vary within the range of tolerances established by ANSI Standard A112.19.2. Dimensions and specifications subject to change without notice.