

LAURENT 72" CAST IRON BATEAU TUB

Cat.No.
CTBATN72-10SSP



L: 72"
W: 30-3/4"
H: 28-3/4"

Water depth: 19" to top of tub
Water depth: 16" to overflow
Overflow hole diameter: 1"

Features:

- ▶ Cast iron tub wrapped in metal skirt
- ▶ Polished Stainless steel skirt
- ▶ No faucet holes
- ▶ Available with or without overflow
- ▶ Non-returnable
- ▶ Please note this tub is highly reflective
- ▶ Tub is thoroughly inspected before shipment



This tub is cast iron with a polished stainless steel finish highlighting the beauty of the natural metal.

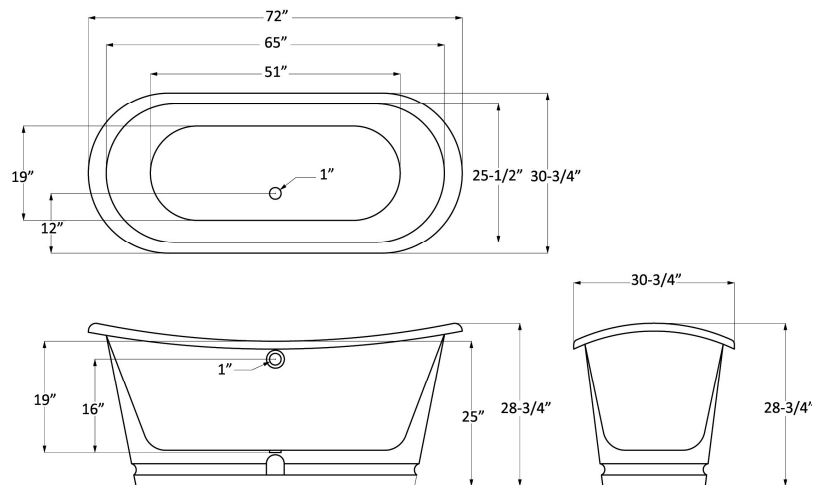
The following is recommended for
CTBATN72-10WH:

- Faucet: part #4602, 4604, or 4022
- Rigid, freestanding supplies: part #4502
- Freestanding filler: part #7934, 7952, or 7918
(Supplies included with filler)
- Leg tub drain: part #5599

Note

To prevent the accumulation of standing water under your tub base we recommend using a bead of silicone between the base and the floor.

Gallon Capacity with OF: 55
Shipping Weight: 574 lbs
Empty Weight: 514 lbs.
Filled Weight with OF: 971 lbs.



Dimensions of fixture are nominal and specifications subject to change without notice.

02/07/2020

P 847•244•1234

www.barclayproducts.com