

# NICOLAS 67" CAST IRON BATEAU TUB

Cat.No.  
CTBATN67-8SSP



L: 67"  
W: 26-3/4"  
H: 27"

Water depth: 18" to top of tub  
Water depth: 15-1/4" to overflow  
Overflow hole diameter: 1"

The following is recommended for  
CTBATN67-8SSP:

- Faucet: part #4602, 4604, or 4022
- Rigid, freestanding supplies: part #4502
- Freestanding filler: part #7934, 7952, or 7918  
(Supplies included with filler)
- Leg tub drain: #5599

### Note

To prevent the accumulation of standing water under your tub base we recommend using a bead of silicone between the base and the floor.

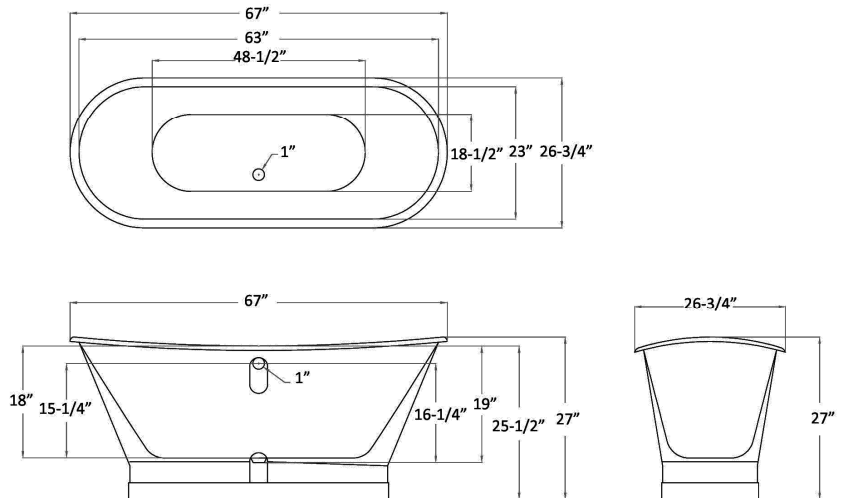
Gallon Capacity with OF: 61  
Shipping Weight: 585 lbs  
Empty Weight: 525 lbs.  
Filled Weight with OF: 1031 lbs.

## Features:

- ▶ Cast Iron tub wrapped in metal skirt
- ▶ Polished stainless steel skirt
- ▶ No faucet holes
- ▶ Available with or without a overflow
- ▶ Non-returnable
- ▶ Please note this finish is highly reflective
- ▶ Tub is thoroughly inspected before shipment



This tub is cast iron with a polished stainless steel finish highlighting the beauty of the natural metal.



Dimensions of fixture are nominal and specifications subject to change without notice.

02/07/2020

P 847•244•1234

www.barclayproducts.com