

BEATRICE 67" CAST IRON BATEAU RUB

Cat.No.
CTBATN67-4WH



L: 67"
W: 26-7/8"
H: 27"

Water depth: 18" to top of tub
Water depth: 15-1/4" to overflow
Overflow hole diameter: 1"

The following is recommended for
CTBATN67-4WH:

- Faucet: part # 4602, 4604, or 4022
- Rigid, freestanding supplies: part #4502
- Freestanding filler: part #7934, 7952, or 7918
(Supplies included with filler)
- Leg tub drain: part #5599

Note

To prevent the accumulation of standing water under your tub base we recommend using a bead of silicone between the base and the floor.

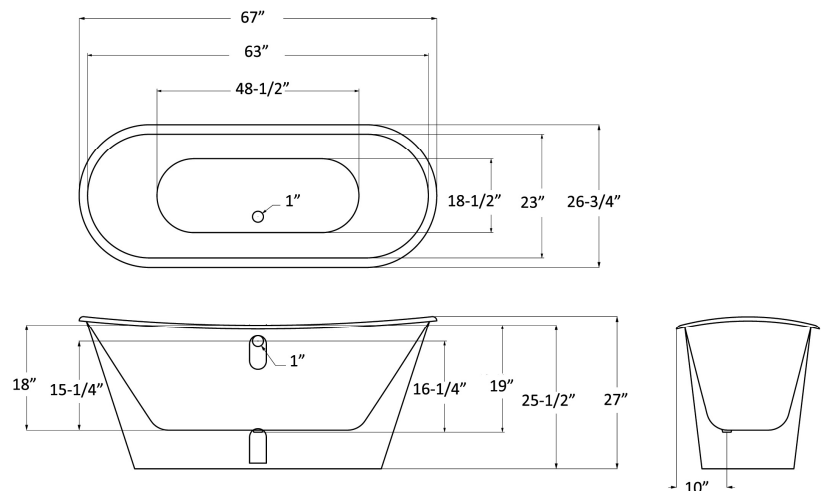
Gallon Capacity with OF: 61
Shipping Weight: 551 lbs
Empty Weight: 491 lbs.
Filled Weight with OF: 997 lbs.

Features:

- ▶ Cast Iron tub wrapped in metal skirt
- ▶ White metal steel skirt
- ▶ No faucet holes
- ▶ Available with or without an overflow
- ▶ Non-returnable
- ▶ Tub is thoroughly inspected before shipment



This tub is cast iron with a white metal steel finish highlighting the beauty of the natural metal.



Dimensions of fixture are nominal and specifications subject to change without notice.

02/07/2020

P 847•244•1234

www.barclayproducts.com