

JOSEPHINE 66" CAST IRON BATEAU TUB

Cat.No.
CTBATN66-10WH



L: 66"
W: 28-1/4"
H: 28-3/4"

Water depth: 19" to top of tub
Water depth: 16" to overflow
Overflow hole diameter: 1"

The following is recommended for CTBATN66-10WH:

- Faucet: part #4602,4604, or 4022
- Rigid, freestanding supplies: part 4502
- Freestanding filler: part #7934, 7952, or 7918
(Supplies included with filler)
- Leg tub drain: part #5599

Note

To prevent the accumulation of standing water under your tub base we recommend using a bead of silicone between the base and the floor.

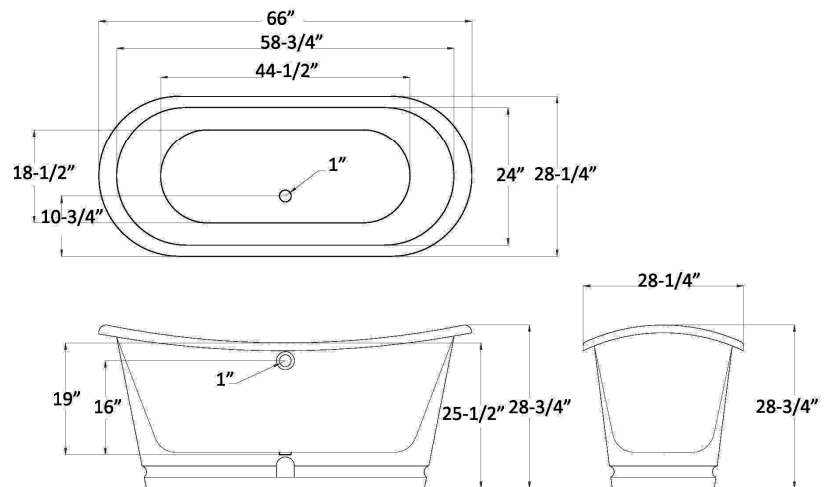
Gallon Capacity with OF: 60
Shipping Weight: 552 lbs
Empty Weight: 492 lbs.
Filled Weight with OF: 990 lbs.

Features:

- ▶ Cast Iron tub wrapped in metal skirt
- ▶ White metal steel skirt
- ▶ No faucet holes
- ▶ Available with or without overflow
- ▶ Non-returnable
- ▶ Tub is thoroughly inspected before shipment



This tub is cast iron with a white metal finish highlighting the beauty of the natural metal.



Dimensions of fixture are nominal and specifications subject to change without notice.