

# BANKS PEDESTAL LAVATORY

CAT. NO  
3-915X



Faucet not included



Mounting hardware

W: 20- $\frac{1}{2}$ "  
D: 17- $\frac{3}{8}$ "  
H: 31- $\frac{3}{4}$ "

Column: 25- $\frac{7}{8}$ " x 6- $\frac{5}{8}$ " x 6- $\frac{1}{2}$ "  
Water depth 3- $\frac{3}{4}$ " to overflow

## Interior Dimensions:

Basin interior:	16- $\frac{1}{4}$ " x 10- $\frac{1}{2}$ "
Basin depth:	6"
Faucet and spout holes:	2" & 1- $\frac{1}{4}$ "
Back of basin to center of faucet:	2- $\frac{3}{8}$ "
Back of basin to center of drain:	7- $\frac{1}{2}$ "
Mount bolts height:	28- $\frac{5}{8}$ "
Mount holes cc:	7- $\frac{1}{4}$ "

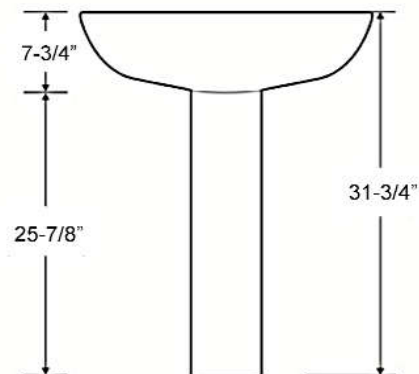
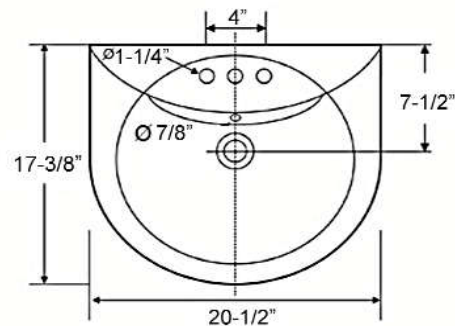
## Features:

- ▶ Made of Vitreous China
- ▶ Available pre-drilled for single hole (3-9151) or 4" centerset (3-9154)
- ▶ Overflow
- ▶ Chrome overflow cover included
- ▶ Mounting hardware included
- ▶ cUPC approved



Colors:  
WH White

Meets or exceeds the following specifications: ASME A112.19.2 2018 and CSA B45.1-18 for ceramic plumbing fixtures.



Dimensions of fixture are nominal and may vary within the range of tolerances established by ASME Standard A112.19.2. Dimensions and specifications subject to change without notice.