

INFINITY 600 PEDESTAL LAVATORY

Cat. No.
3-32X



Faucet no included

Features:

- ▶ Made of Vitreous China
- ▶ Available for 1 hole, 4" centerset or 8" widespread
- ▶ Pre-drilled overflow hole
- ▶ Mounting Hardware Included
- ▶ For ease installation order **Hangers** (pair) or **Bracket** (one)

Colors:
WH White



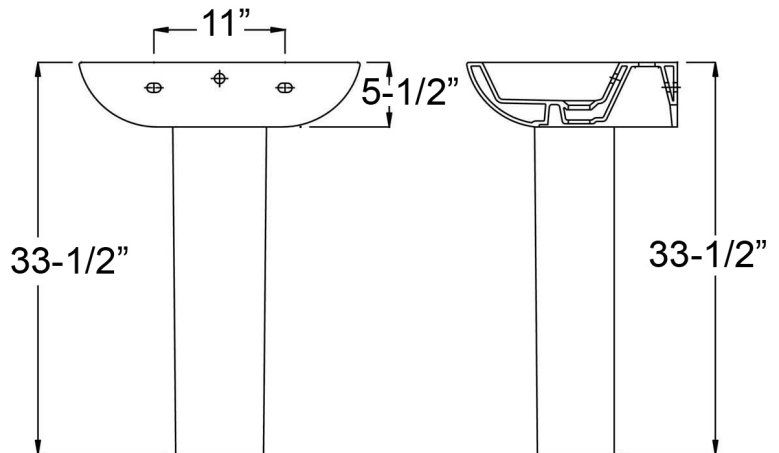
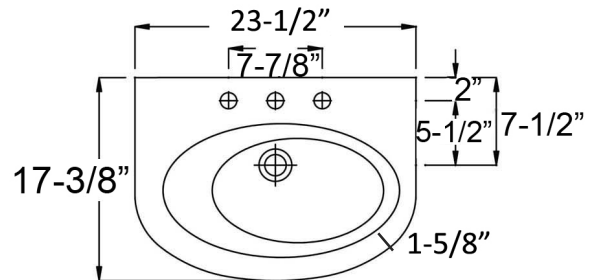
Compliance Certification
Meets or exceeds the following specifications: ASME A112.19.2 2018 and CSA B45.1-18 for ceramic plumbing fixtures.

W: 23-1/2"
D: 17-3/8"
H: 33-1/2"
Flange: 2-7/8"

Column: 8"W x 6-1/2"D x 28-1/8" H

Interior Dimensions:

Basin Interior: 19-3/8" x 11-5/8"
Basin Depth: 3"
Water depth to overflow: 1-7/8"
Mount bolts height: 31-1/4"
Mount holes cc: 11"
Faucet and spout holes: 1-3/8"
Back of basin to center of drain: 7-1/2"
Back of basin to center of faucet hole: 2"



Dimensions of fixture are nominal and may vary within the range of tolerances established by ASME Standard A112.19.2-2018. Dimensions and specifications subject to change without notice.