

**PATRICK  
67" ACRYLIC  
OVAL TUB**

Cat. No.  
ATOVN67EIG-XX



L: 67"  
W: 31-1/2"  
H: 23-3/4"

Water depth: 18-1/2" to top of tub  
Water depth: 15-1/2" to overflow  
Overflow hole diameter: 3-3/4"  
Center drain to back of rim: 16"

**The following is recommended for ATOVN67E tubs without faucet holes:**

- Freestanding Filler: part #7932, 7952, or 7918 (Does not need bath supplies)

**For easier installation we recommend use of 5598-ITD Easy Install Rough In Kit**

Gallon Capacity: 71  
Shipping Weight: 142 lbs.  
Empty Weight: 82 lbs.  
Filled Weight: 675 lbs.

**Features:**

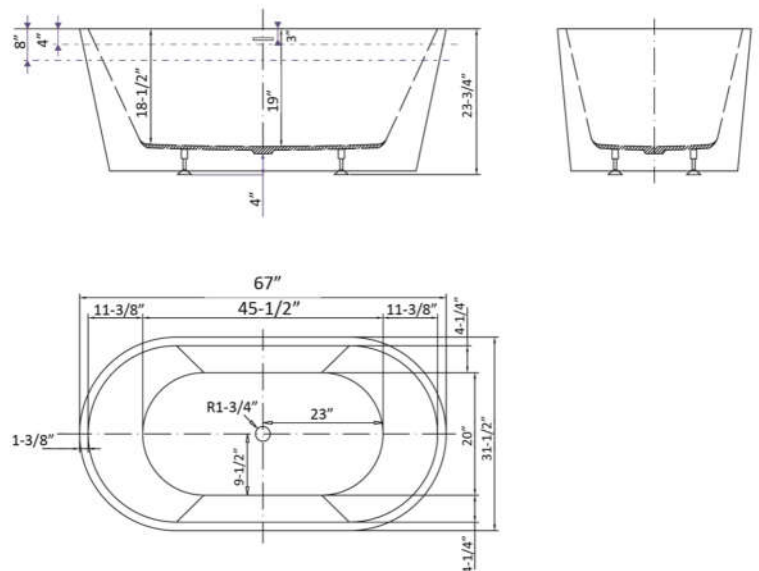
- ▶ Acrylic construction for lighter weight
- ▶ Interior and exterior walls acrylic sheets
- ▶ Overflow slot with integrated drain
- ▶ Drain included
- ▶ Drain and overflow covers included( available in 7 finishes)
- ▶ Rim is 1-3/8" wide
- ▶ No faucet holes
- ▶ Includes built-in adjusters
- ▶ Tub is thoroughly inspected before shipment
- ▶ Option to add foam insulation between tub walls available



**Finishes:**

- BN** Brushed Nickel
- CP** Polished Chrome
- ORB** Oil Rubbed Bronze
- PB** Polished Brass
- PN** Polished Nickel
- WT** White
- MB** Matte Black

**Custom Colors Available** (inside of tub is always white enamel):  
Painted bathtubs are considered "special order" and are not returnable  
\$160 Bisque or Black \$250 Designer Color



Dimensions of fixture are nominal and specifications subject to change without notice.