

OVAL COPPER LAVATORY BOWL

Cat. No.
6843



Features:

- ▶ 16 Gauge Metal
- ▶ Self-rimming
- ▶ Oval shape
- ▶ Includes overflow and drain opening for standard 1- 1/4" drain fitting
- ▶ 1-1/2" Rim
- ▶ Flange measures 2-1/2" in diameter and 1/4" in height
- ▶ Also available as undermount (#6842)
- ▶ Copper is a living finish and will patina over time
- ▶ Pewter will not patina under normal circumstances

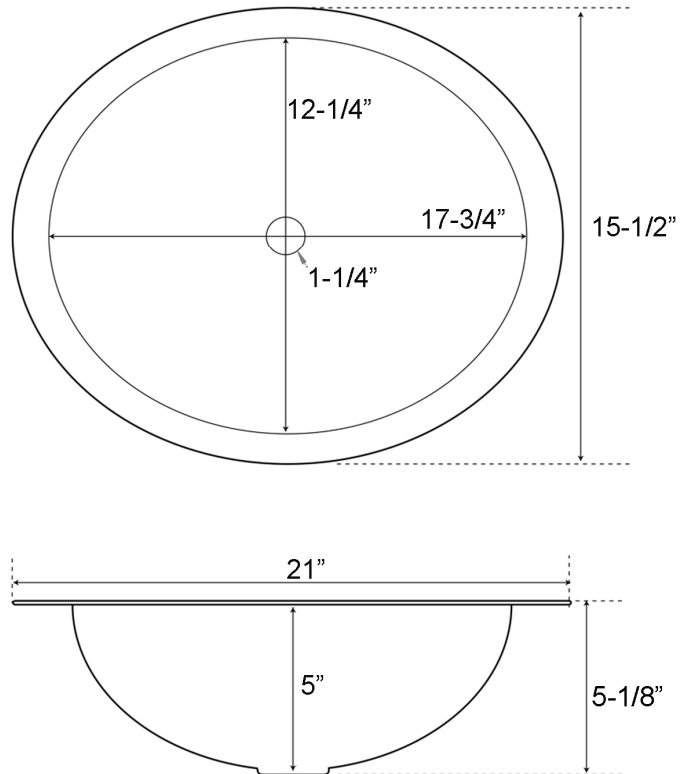
Finishes:

AC Hammered Antique Copper
PE Hammered Pewter

Compliance Certification
Material is consistent with
UNS C81100 Copper Casting
Alloy with respect to chemical
composition.

Basin Dimensions:

W: 21"
D: 15-1/2"
H: 5-1/8"



Interior Dimensions:

Basin Interior: 17-3/4" x 12- 1/4"
Basin Depth: 5"

Dimensions of fixture are nominal and may vary. Dimensions and specifications subject to change without notice.