

ABNER MEDIUM COPPER LAVATORY BOWL

Cat. No.
6723



Features:

- ▶ 16 Gauge Metal
- ▶ Self-rimming
- ▶ Round
- ▶ For use with standard 1-1/4" drain
- ▶ 1-1/2" Curved rim
- ▶ Flange measures 1-1/2" in diameter and 1/4" in height
- ▶ Also available as undermount (#6722)
- ▶ Copper is a living finish and will patina over time
- ▶ Pewter will not patina under normal circumstances

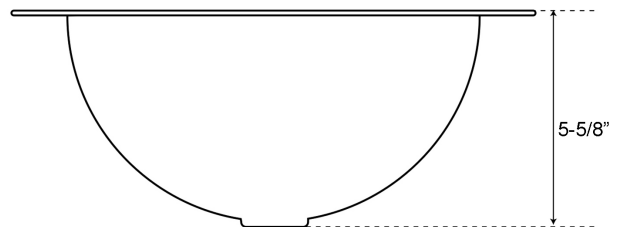
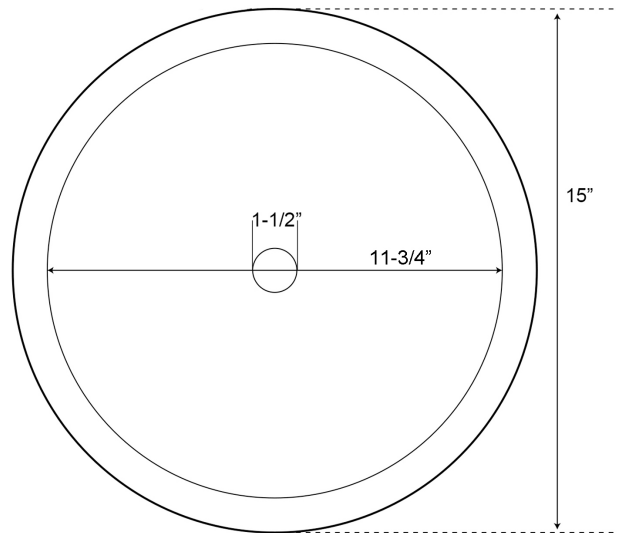
Finishes:

AC Hammered Antique Copper
PE Hammered Pewter

Compliance Certification
Material is consistent with
UNS C81100 Copper Casting
Alloy with respect to chemical
composition.

Basin Dimensions:

Diameter: 15"
Height: 5-5/8"



Interior Dimensions:

Interior Basin Diameter: 11-3/4"
Basin Depth: 5-1/4"

Dimensions of fixture are nominal and may vary. Dimensions and specifications subject to change without notice.