

ABITA SMALL COPPER LAVATORY BOWL

Cat. No.
6713



Diameter: 12"

Height: 6-1/2"

Features:

- ▶ 16 Gauge Metal
- ▶ Self-rimming
- ▶ Round
- ▶ Drain opening for standard 1-1/4" drain fitting
- ▶ 1" Rim
- ▶ Flange measures 2-1/2" in diameter and 1/8" in height
- ▶ Also Available as Undermount (#6712)
- ▶ Copper is a Living Finish and will Patina Over Time
- ▶ Pewter will Not Patina Under Normal Circumstances

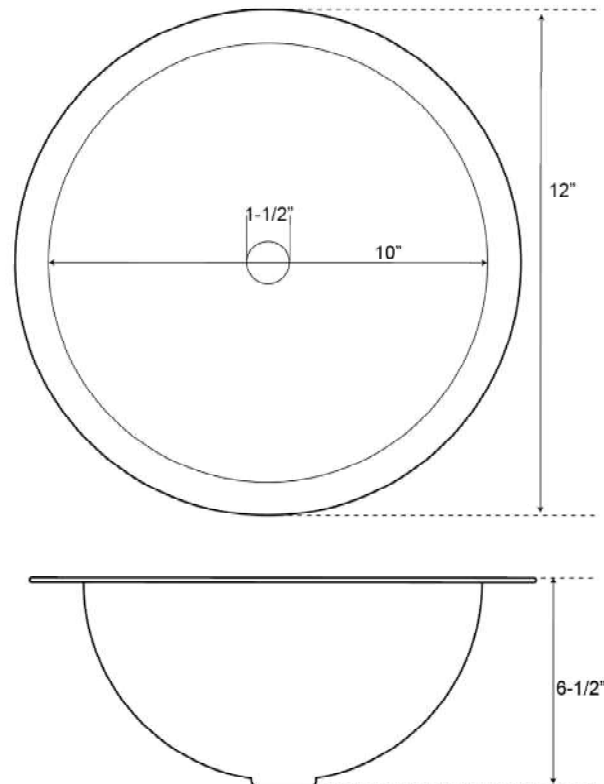
Finishes:

AC Hammered Antique Copper
PE Hammered Pewter

Compliance Certification
Material is consistent with
UNS C81100 Copper Casting
Alloy with respect to chemical
composition.

Interior Dimensions:

Diameter: 10"
Basin Depth: 6-1/4"



Dimensions of fixture are nominal and may vary. Dimensions and specifications subject to change without notice.

07/17/2018

P 847•244•1234 | www.barclayproducts.com