

EXTENDED TUB DRAIN

Cat. No.
5599E

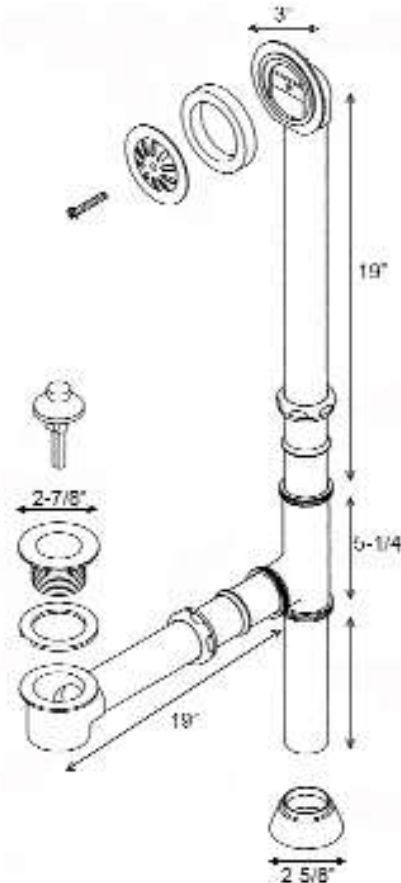


Features:

- ▶ Twist-and -Lift Stopper
- ▶ Extended 19" drain pipe
- ▶ Extended 19" overflow tube
- ▶ Extended tubes can be cut to size
- ▶ 1-1/2" Tubing
- ▶ Includes floor flange and overflow plate
- ▶ Available in 6 finishes

Finishes:

CP	Polished Chrome	PB	Polished Brass
BN	Brushed Nickel	PN	Polished Nickel
ORB	Oil Rubbed Bronze	MB	Matte Black



Dimensions and specifications subject to change without notice.