

# VARIANT 19-<sup>3</sup>/<sub>4</sub>" x 14" OVAL DROP-IN BASIN

Cat.No.  
5-606WH



W: 19-<sup>3</sup>/<sub>4</sub>"  
D: 14"  
H: 4-<sup>3</sup>/<sub>4</sub>"  
Flange: 16-<sup>1</sup>/<sub>4</sub>" L x 13-<sup>1</sup>/<sub>2</sub>" W x 2" H

## Features:

- ▶ For drop-In installation
- ▶ Made of Vitreous China
- ▶ No faucet holes
- ▶ No overflow
- ▶ Traditional style
- ▶ Drain not provided

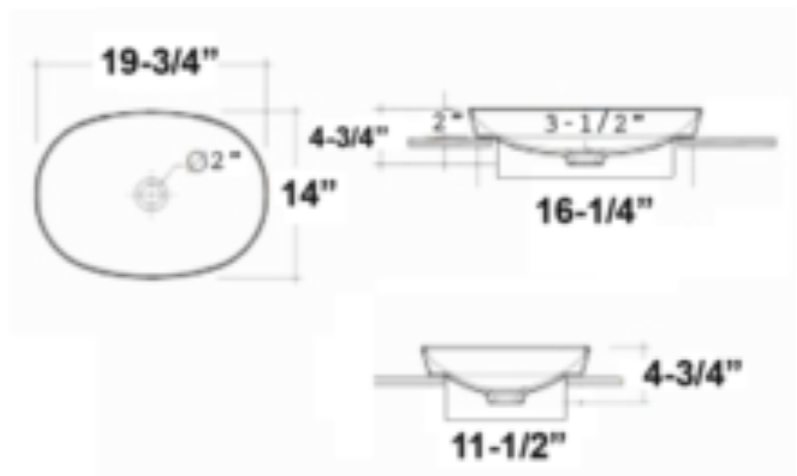
## Colors:

WH White

**Compliance Certification**  
Meets or exceeds the following specifications: ASME A112.19.2 2018 and CSA B45.1-18 for ceramic plumbing fixtures.

## Interior Dimensions:

Basin Interior: 19"W x 13-<sup>1</sup>/<sub>2</sub>"D  
Basin Depth: 3-<sup>1</sup>/<sub>2</sub>"  
Back of basin to center of drain: 7"



Dimensions of fixture are nominal and may vary within the range of tolerances established by ASME Standard A112.19.2.2018 Dimensions and specifications subject to change without notice.