

# VARIANT 14" ROUND UNDERCOUNTER BASIN

Cat.No.  
5-600WH



Drain not provided

Basin diameter: 16-1/2"  
Height: 6-1/2"

Flange: 5-7/8"H x 14"W x 15" L

## Features:

- ▶ Made of vitreous china
- ▶ Round shape
- ▶ Pre-drilled overflow hole
- ▶ Undercounter
- ▶ Mounting clips needed (Order Separately)
- ▶ Drain opening for standard 1-1/2" drain fitting

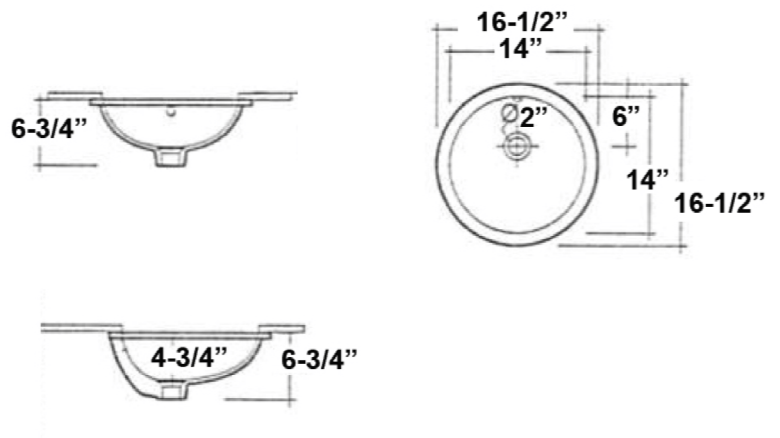
## Colors:

WH White

**Compliance Certification**  
Meets or exceeds the following specifications: ASME A112.19.2 2018 and CSA B45.1-18 for Vitreous china fixtures.

## Interior Dimensions:

Basin Interior: 14" x 14"  
Basin Depth: 4-3/4"  
Back of basin to center drain: 6-1/4"



Dimensions of fixture are nominal and may vary within the range of tolerances established by ASMEI Standard A112.19.2. Dimensions and specifications subject to change without notice.