

# FREESTANDING TUB FILLER

Cat. No.  
4611-MC-XX



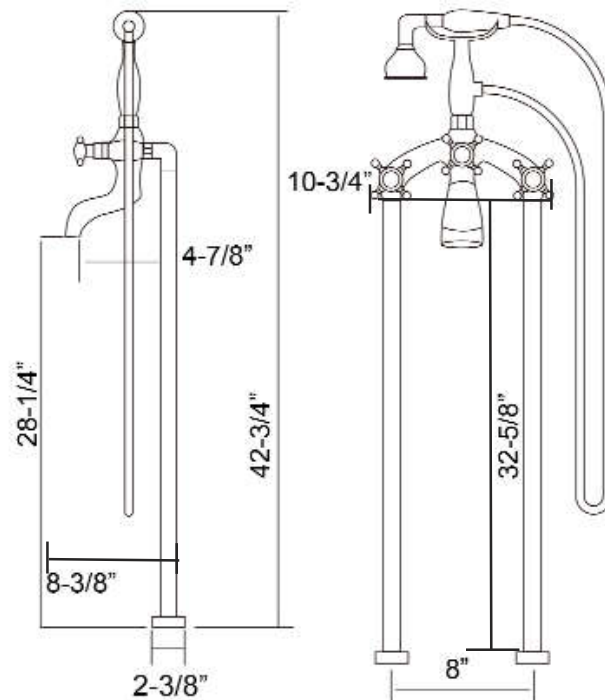
D: 8-<sup>3</sup>/<sub>8</sub>"  
W: 10-<sup>3</sup>/<sub>4</sub>"  
H: 42-<sup>3</sup>/<sub>4</sub>"

## Features:

- ▶ Elephant spout, curved body
- ▶ Brass construction with zinc handle
- ▶ Flow rate for spout is 7.4 GPM (45 PSI)
- ▶ Rough-In Valve Included
- ▶ Flow rate for hand shower is 0.83 GPM (45 PSI)
- ▶ 1/4" Turn brass cartridges with ceramic disc inside
- ▶ Metal cross handles with porcelain buttons
- ▶ Spout reach is 8-<sup>3</sup>/<sub>8</sub>"
- ▶ Available in 3 finishes
- ▶ 59" Stainless steel shower hose
- ▶ cUPC approved
- ▶ Porcelain handle, Brass Body
- ▶ Supplies: Connection size: 1" , male connection type, 33-<sup>3</sup>/<sub>8</sub>" length
- ▶ Attached nipple 1-<sup>7</sup>/<sub>8</sub>" to coupling

## Finishes:

- CP** Polished Chrome  
**BN** Polished Brass  
**ORB** Oil Rubbed Bronze



Dimensions are nominal and may vary. Dimensions and specifications subject to change without notice.