

6" ELBOWS

Cat. No
4503



D: 1-³/₄"
L: 6"
W: 2"
Thread diameter: ³/₄"



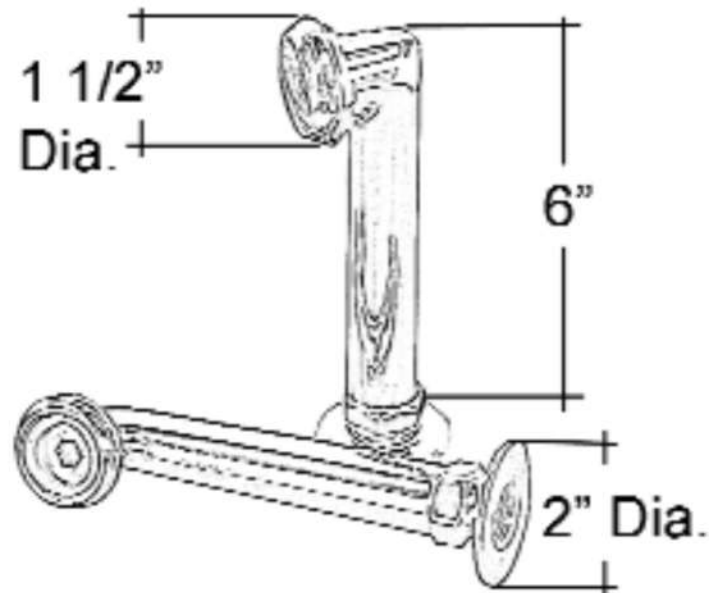
³/₄" x ¹/₂" HARDWARE

Features:

- ▶ For rim mounted faucets
- ▶ Sold in pairs
- ▶ Available in 5 Finishes
- ▶ ³/₄" x ¹/₂" **HARDWARE** included
- ▶ Inner Diameter: 5/8"
- ▶ Outer: 1"

Finishes:

CP	Polished Chrome
BP	Polished Brass
SN	Brushed Nickel
PN	Polished Nickel
ORB	Oil Rubbed Bronze
MB	Matte Black



Dimensions are nominal and may vary. Dimensions and specifications subject to change without notice.