

TUB FILLER WITH DIVERTER AND SHOWER RING

Cat. No.
4124



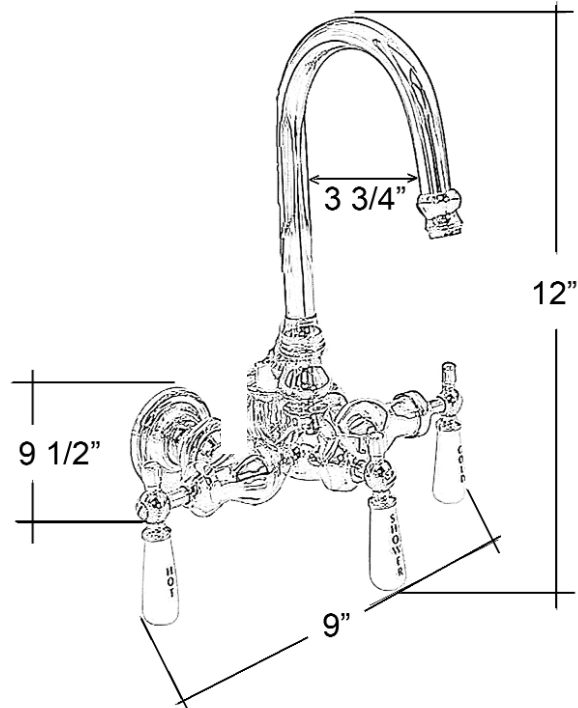
Shower Rod: 48" W x 24" D
Riser Height: 62"
Wall Support: 10" adjustable
Ceiling Support: 30" adjustable

Features:

- ▶ 3/4" Brass tubing
- ▶ Code gooseneck spout
- ▶ 3-3/8" Centers on tub wall
- ▶ 1/4 Turn ceramic disc cartridges
- ▶ Flow rate is 3.68 GPM
- ▶ 3/4" Nipples
- ▶ Porcelain lever handles
- ▶ Includes riser and rectangular shower Rod
- ▶ Includes ceiling and wall support assemblies
- ▶ Supports adjustable by cutting
- ▶ Does Not include showerhead
- ▶ Cast Iron tub use ONLY
- ▶ For Acrylic Tub Use Buy Part# 4122

Finishes:

CP Polished Chrome



Dimensions are nominal and may vary. Dimensions and specifications subject to change without notice.