

# CODE RECTANGULAR SHOWER UNIT

Cat. No.  
4122



### Features:

- ▶ 3/4" Solid brass tubing
- ▶ Code gooseneck spout
- ▶ 3-3/8" Centers
- ▶ 1/4 Turn ceramic disc cartridges
- ▶ Flow rate 3.68 GPM
- ▶ Porcelain lever handles
- ▶ Rectangular shower rod and riser included
- ▶ Includes ceiling and wall support assemblies
- ▶ Supports are adjustable by cutting
- ▶ Does Not include showerhead
- ▶ For acrylic tub use only
- ▶ For cast iron tub use **Part# 4124**

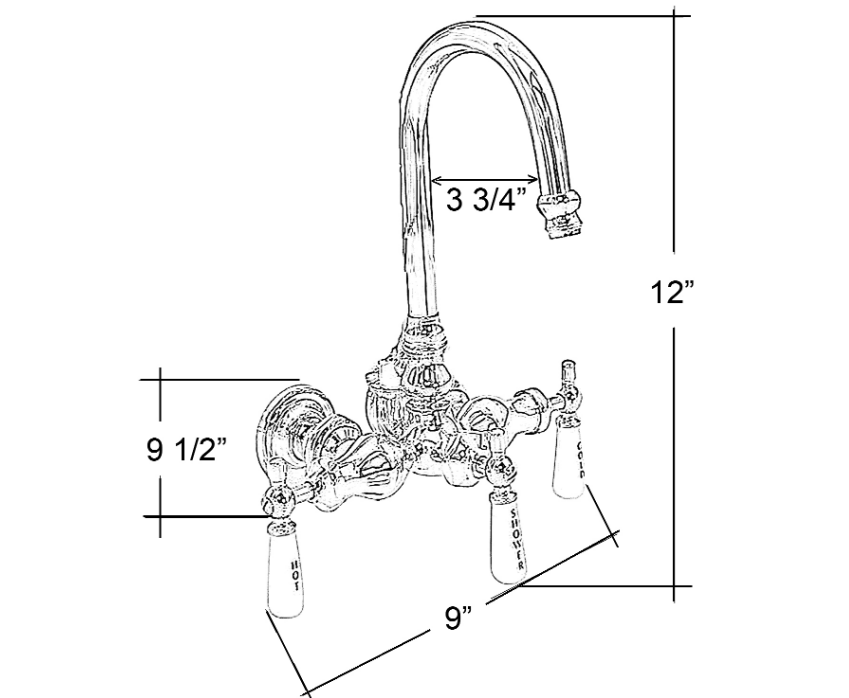
### Finishes:

- CP Polished Chrome
- BP Polished Brass
- SN Brushed Nickel

### Shower Rod

L: 48"  
D: 24"

Riser Height: 62"  
Wall Support: 10" Adjustable  
Ceiling Support: 30" Adjustable



Dimensions are nominal and may vary. Dimensions and specifications subject to change without notice.