

# TUB DIVERTER BATHCOCK

Cat. No.  
4072



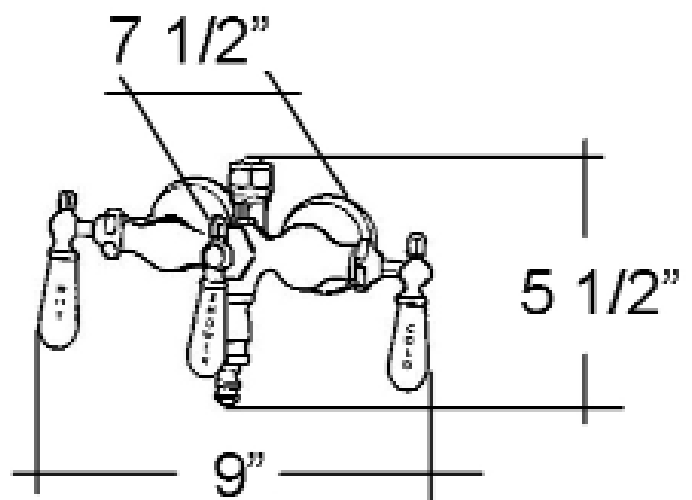
L: 5 -1/2"  
W: 9"  
D: 7-1/2"

## Features:

- ▶ Old style spigot
- ▶ Brass body
- ▶ Porcelain lever handles
- ▶ 1/4 Turn ceramic disc cartridges
- ▶ Flow rate is 3.34 GPM
- ▶ 3-3/8" Centers
- ▶ Centers can be adjusted out to 9" with use of part **#4501** (Swivel arms)
- ▶ F 3/8" Riser connection
- ▶ 3/4" Nipples
- ▶ IAPMO approved
- ▶ Cast Iron Tub Use Only
- ▶ Riser cap not available

## Finishes:

CP Polished Chrome



Dimensions are nominal and may vary. Dimensions and specifications subject to change without notice.