

BOSWELL WALL HUNG BASIN

Cat. No
4-9080



Faucet Not Included



Mounting hardware

W: 23-1/2"
D: 17-3/4"
H: 7-1/8"

Water depth 3-1/4" to overflow

Interior Dimensions:

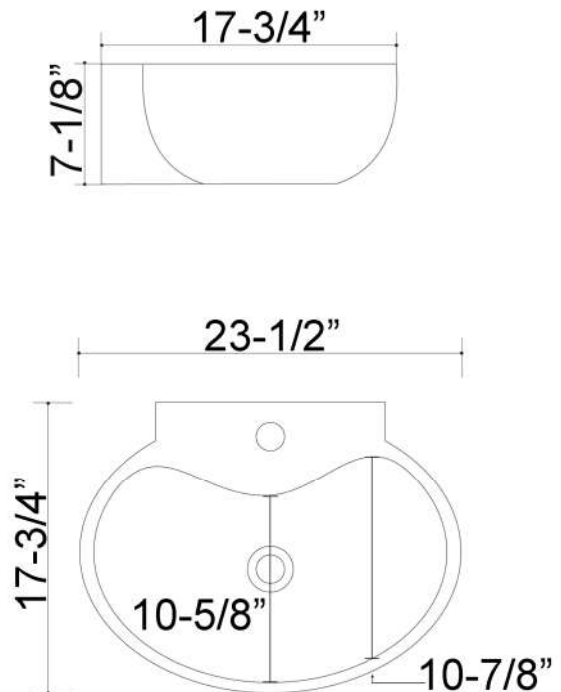
Basin Interior:	10-7/8" X 22-5/8"
Basin Depth:	5-1/8"
Back of basin to center of faucet:	3-1/8"
Back of basin to center of drain:	9-3/8"
Mount holes cc:	3"
Faucet hole diameter:	1-3/8"

Features:

- ▶ Wall hung basin
- ▶ Made of Vitreous China
- ▶ Pre-drilled with 1-3/8" single faucet hole
- ▶ Overflow with chrome cover provided
- ▶ Mounting hardware included
- ▶ Drain not provided

Colors WH White

Meets or exceeds the following specifications: ASME A112.19.2 2018 and CSA B45.1-18 for ceramic plumbing fixtures.



Dimensions of fixture are nominal and may vary within the range of tolerances established by ASME Standard A112.19.2.2018. Dimensions and specifications subject to change without notice.