

CALLA BASIN

Cat. No
4-8140



W: 10-7/8"
D: 13-1/2"
H: 6-1/8"

Water depth 1-7/8" to overflow

***Please do NOT drill hole without
template or actual product.**

Interior Dimensions:

Basin Interior:	8-3/4"
Basin Depth:	4"
Back of basin to center of faucet:	2"
Back of basin to center of drain:	8"
Mount holes cc:	2-1/4"
Faucet hole diameter:	1-1/2"

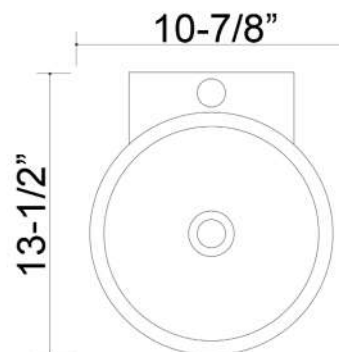
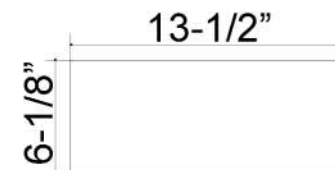
Features:

- ▶ Can be used as above counter or wall-hung basin
- ▶ Vitreous china for durability
- ▶ Pre-drilled overflow
- ▶ Drain not provided
- ▶ Can be used with grid drain #5600
- ▶ Chrome overflow cover included

Colors:

WH White

Compliance Certification
Meets or exceeds the following
specifications: ASME A112.19.2
2018 and CSA B45.1-18 for
ceramic plumbing fixtures.



Dimensions of fixture are nominal and may vary within the range of tolerances established by AMSE Standard A112.19.2.2018 Dimensions and specifications subject to change without notice.