

# KARLA 450 WALL HUNG BASIN

Cat. No  
4-81X



Faucet Not Included

W: 17-3/4"  
D: 14-1/8"  
H: 7"

### Interior Dimensions:

Basin Interior: 14" x 8-1/2"  
Basin Depth: 4"  
Water depth to overflow: 2-3/8"  
Mount holes cc: 7"  
Back of basin to center of faucet: 2-1/2"  
Back of basin to center of drain: 7"  
Mount holes cc: 7"

### Features:

- ▶ Wall hung basin
- ▶ Made of Vitreous China
- ▶ Available with 1-hole (4-811) or 4"cc (4-814)
- ▶ Pre-drilled overflow
- ▶ Mounting hardware included

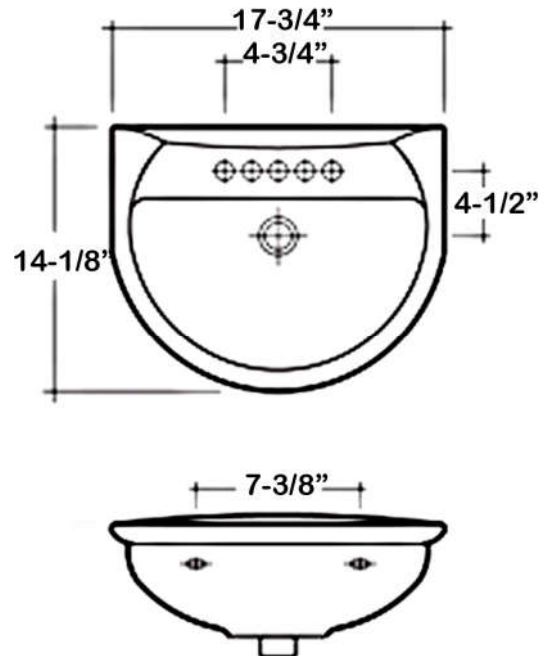
### Colors

WH White



Mounting hardware

Meets or exceeds the following specifications: ASME A112.19.2 2018 and CSA B45.1-18 for ceramic plumbing fixtures.



Dimensions of fixture are nominal and may vary within the range of tolerances established by ASME Standard A112.19.2.2018. Dimensions and specifications subject to change without notice.