

ABOVE COUNTER BASIN

Cat. No
4-8034



Features:

- ▶ Above counter basin
- ▶ Vitreous china for durability
- ▶ No overflow
- ▶ Drain not provided
- ▶ Can be used with grid drain #5601 or umbrella drain # UD701 (Not included)

Colors:

WH White

Compliance Certification

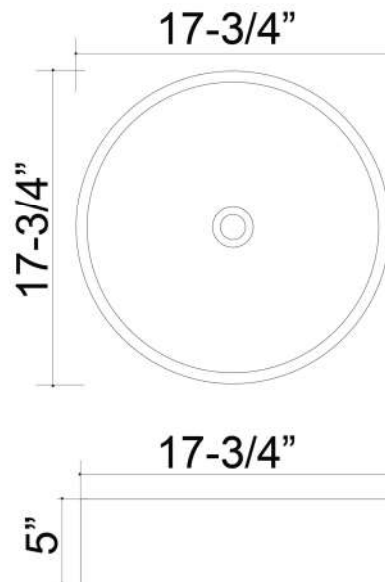
Meets or exceeds the following specifications: ASME A112.19.2 2013 and CSA B45.1-13 for ceramic plumbing fixtures.

Diameter: 17-³/₄"
Above counter height: 5"

***Please do NOT drill hole without template or actual product.**

Interior Dimensions:

Basin Diameter: 17"
Basin Depth: 3-¹/₄"
Back of basin to center of drain: 9"



Dimensions of fixture are nominal and may vary within the range of tolerances established by AMSE Standard A112.19.2.2013 Dimensions and specifications subject to change without notice.