

# ABOVE COUNTER BASIN

Cat. No  
4-8014



Diameter: 16-3/4"  
Above counter height: 6-1/8"

**\*Please do NOT drill hole without  
template or actual product.**

### Interior Dimensions:

Basin Diameter: 15-5/8"  
Basin Depth: 5-1/8"  
Back of basin to center of drain: 8-1/4"

### Features:

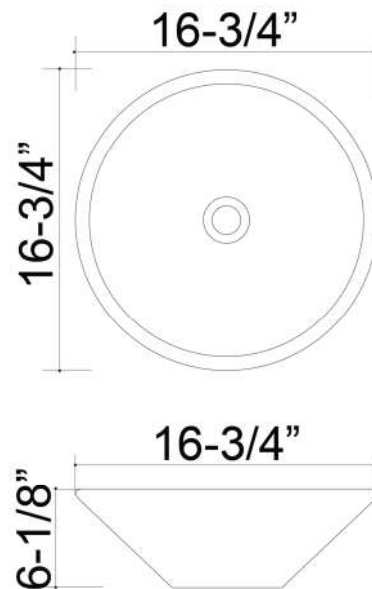
- ▶ Above counter basin
- ▶ Vitreous china for durability
- ▶ No overflow
- ▶ Drain not provided
- ▶ Can be used with grid drain #5601 or umbrella drain # UD701 (Not included)

### Colors:

WH White

### Compliance Certification

Meets or exceeds the following specifications: ASME A112.19.2 2013 and CSA B45.1-13 for ceramic plumbing fixtures.



Dimensions of fixture are nominal and may vary within the range of tolerances established by AMSE Standard A112.19.2.2013 Dimensions and specifications subject to change without notice.