

SANTA FE BASIN

Cat. No.
4-640WH



Features:

- ▶ Vitreous China
- ▶ Can be used as drop-in
- ▶ Can be used as vessel
- ▶ No overflow
- ▶ Rim thickness 1" in height

Colors:

WH White

Compliance Certification
Meets or exceeds the following
specifications: ASME 12.19.2.2018
for vitreous china fixtures.

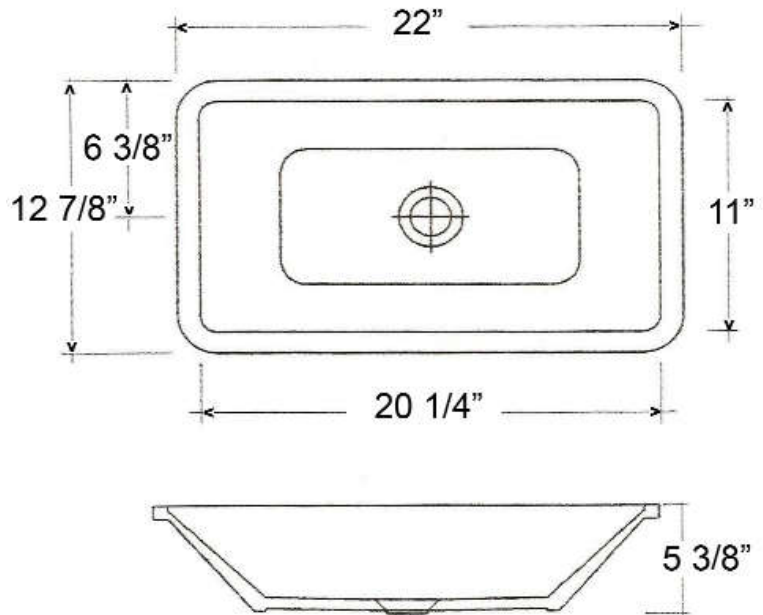
Top:

Side to side: 22"
Front to back: 12-7/8"

Bottom:

Side to side: 13-1/2"
Front to back: 6-1/2"

Height: 5-3/8"



Inside Bowl Dimensions:

Top of bowl: 19-3/4" x 10-1/2"
Bottom of bowl: 14" x 6"
Depth: 4-3/8"
Top of bowl to bottom of drain hole: 5"

Dimensions of fixture are nominal and may vary within the range of tolerances established by ASME Standard A112.19.2.2018. Dimensions and specifications subject to change without notice.