

# CAPRI BASIN

Cat. No.  
4-440



Basin diameter:	14"
Base diameter:	6"
Above Counter Height:	6-1/2"
Flange:	1-3/4"

## Features:

- ▶ Above counter basin
- ▶ Fine Fire Clay for durability
- ▶ No overflow
- ▶ Chip and stain resistant
- ▶ Stopper not included
- ▶ To be use with Grid Drain # 5601 or Umbrella Drain # UD701

## Colors:

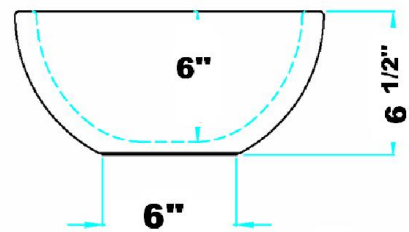
WH White

**Compliance Certification**  
Meets or exceeds the following  
specifications: ASME A112.19.2  
2013 and CSA B45.1-13 for  
ceramic plumbing fixtures.

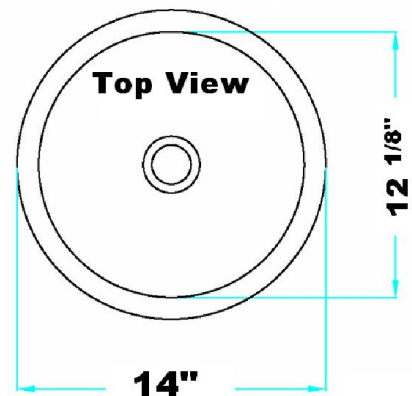
## Interior Dimensions:

Basin diameter:	12-1/8"
Basin Depth:	6"

## **Front Cut-through**



## **Top View**



Dimensions of fixture are nominal and may vary within the range of tolerances established by ASME Standard A112.19.2.2013 Dimensions and specifications subject to change without notice.