

HARMONY 650 WALL-HUNG

Cat. No.
4-204X



Faucet Not Included



Mounting hardware

Width: 25-5/8"
Depth: 19"
Height: 7"

Water depth 3" to overflow

***Please do NOT drill hole without
template or actual product.**

Interior Dimensions:

Basin interior:	20" X 12"
Basin depth:	6"
Mount holes cc:	10-1/2"
Back of basin to center of faucet:	2-1/2"
Back of basin to center of drain:	9"
Faucet hole diameter:	1-3/8"

Features:

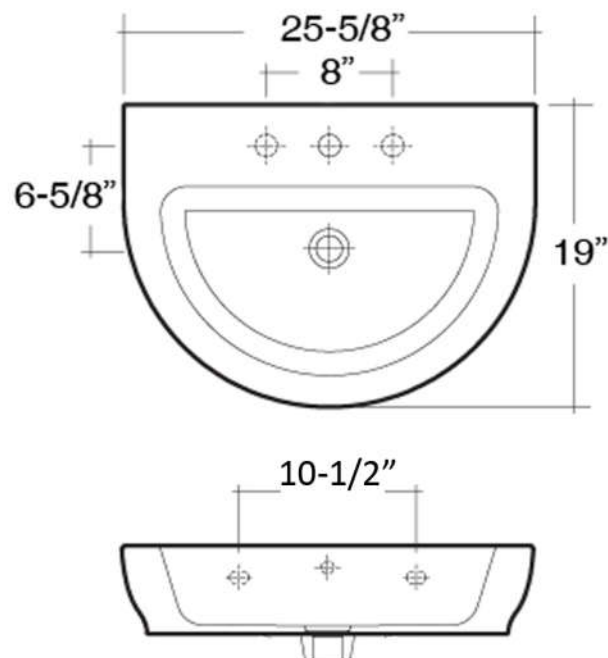
- ▶ Vitreous China
- ▶ Available for 1 Hole(4-2041), 4" centerset (4-2044), and 8" widespread (4-2048)
- ▶ Pre-drilled overflow hole
- ▶ Mounting hardware included

Colors:

WH White

Compliance Certification

Meets or exceeds the following specifications: ASME A112.19.2 2018 and CSA B45.1-18 for plumbing fixtures.



Dimensions of fixture are nominal and may vary within the range of tolerances established by ANSI Standard A112.19.2. Dimensions and specifications subject to change without notice.