

SERIES 600 DROP-IN BASIN

Cat. No.
4-18X



Drain not included

W: 20"
D: 16-3/4"
H: 7-1/4"

Interior Dimensions:

Basin Interior: 13-1/2" x 9-1/2"
Basin Depth: 6"
Faucet: 1-3/8"

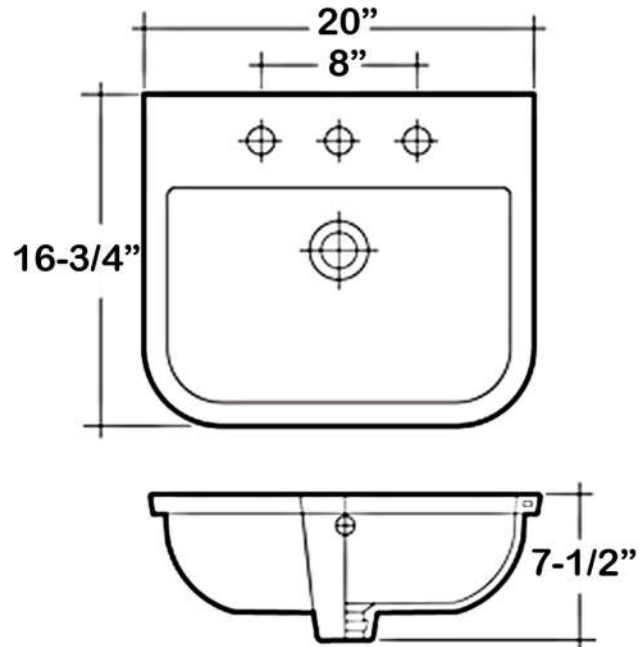
Features:

- ▶ Made of Vitreous China
- ▶ Available for 1-hole or 8" widespread
- ▶ Mounting hardware included
- ▶ Pre-drilled overflow hole
- ▶ Self Rimming

Colors:

WH White

Meets or exceeds the following specifications: ASME A112.19.2 2018 and CSA B45.1-18 for ceramic plumbing fixtures.



Dimensions of fixture are nominal and may vary within the range of tolerances established by ANSI Standard A112.19.2-2018. Dimensions and specifications subject to change without notice.