

# VENICE 520 WALL-HUNG BASIN

Cat. No.  
4-12X



Faucet Not Included



Mounting hardware

Width: 20-3/4"  
Depth: 15-3/4"  
Height: 7-1/4"  
Water depth to OF: 3"

**\*Please do NOT drill hole without  
template or actual product.**

### Interior Dimensions:

Basin interior:	13" X 9-1/4"
Basin depth:	5"
Back of basin to center of faucet:	2-1/4"
Back of basin to center of drain:	7"
Mount holes cc:	9"
Faucet hole diameter:	1-3/8"

### Features:

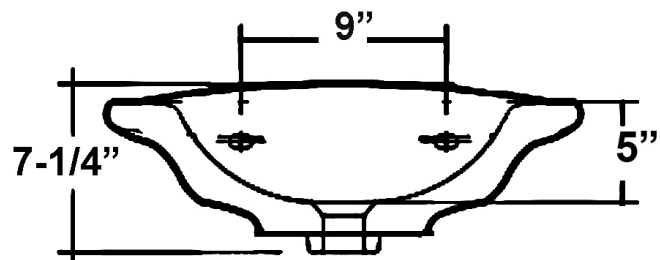
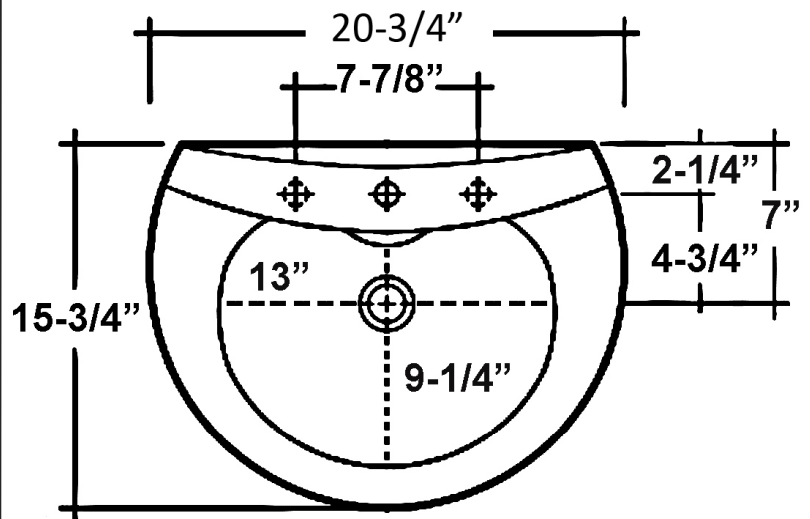
- ▶ Basin is Vitreous China
- ▶ Pre-drilled for single hole (4-121), 4" centerset (4-120), 6" mini widespread (4-126) and 8" widespread (4-128)
- ▶ Pre-drilled overflow hole
- ▶ Mounting hardware included
- ▶ For easier installation order Hangers or Bracket

### Colors:

WH White

### Compliance Certification

Meets or exceeds the following specifications: ASME A112.19.2 2018 and CSA B45.1-18 for plumbing fixtures.



Dimensions of fixture are nominal and may vary within the range of tolerances established by ANSI Standard A112.19.2. Dimensions and specifications subject to change without notice.