

EDEN 450 WALL-HUNG

Cat. No.
4-110X



Faucet Not Included



Mounting hardware

Width: 17-3/4"
Depth: 14-1/2"
Height: 6-1/4"
Water depth to OF: 2-1/4"

***Please do NOT drill hole without
template or actual product.**

Interior Dimensions:

Basin interior:	16-3/4" X 9-1/4"
Basin depth:	4"
Back of basin to center of faucet:	2-1/2"
Back of basin to center of drain:	7-1/2"
Mount holes cc:	8-5/8"
Faucet hole diameter:	1 3/8"

Features:

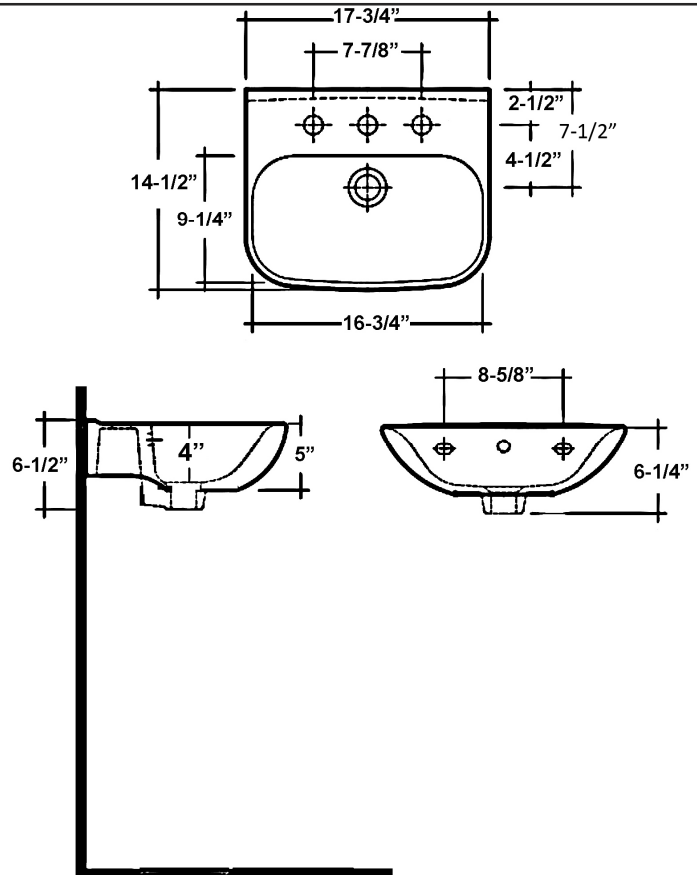
- ▶ Vitreous China
- ▶ Available for 1-hole (4-1101WH), 4" centerset (4-1104WH) and 8" widespread (4-1108WH)
- ▶ Pre-drilled overflow hole
- ▶ Mounting hardware included

Colors:

WH White

Compliance Certification

Meets or exceeds the following specifications: ASME A112.19.2 2018 and CSA B45.1-18 for plumbing fixtures.



Dimensions of fixture are nominal and may vary within the range of tolerances established by ANSI Standard A112.19.2. Dimensions and specifications subject to change without notice.