

ADOLFO 23" RECTANGULAR BASIN

Cat. No
4-104X



Faucet not included

Features:

- ▶ Above counter basin
- ▶ Made of Vitreous China
- ▶ Available with 1-hole (4-1041), 4" centerset (4-1044), and 6" mini widespread (4-1046)
- ▶ Pre-drilled overflow
- ▶ Drain not provided
- ▶ Chrome overflow cover included
- ▶ Can be used with grid drain #5601 or #57080 drain

Colors

WH White

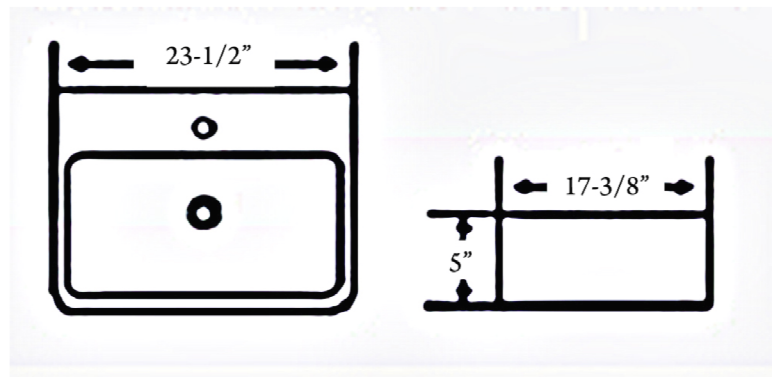
Meets or exceeds the following specifications: ASME A112.19.2 2018 and CSA B45.1-18 for ceramic plumbing fixtures.

W: 23-1/2"
D: 17-3/8"
H: 5"

Water depth 2-1/8" to overflow

Interior Dimensions:

Basin Interior:	23" x 14-1/4"
Basin Depth:	3-1/4"
Back of basin to center of faucet:	2-1/2"
Back of basin to center of drain:	9-3/8"
Faucet hole diameter:	1-1/2"
Drain hole:	1-3/4"



Dimensions of fixture are nominal and may vary within the range of tolerances established by ASME Standard A112.19.2.2018. Dimensions and specifications subject to change without notice.