

# 1" ZINC ADJUSTABLE SHOWER ROD FLANGE

Cat. No.  
360



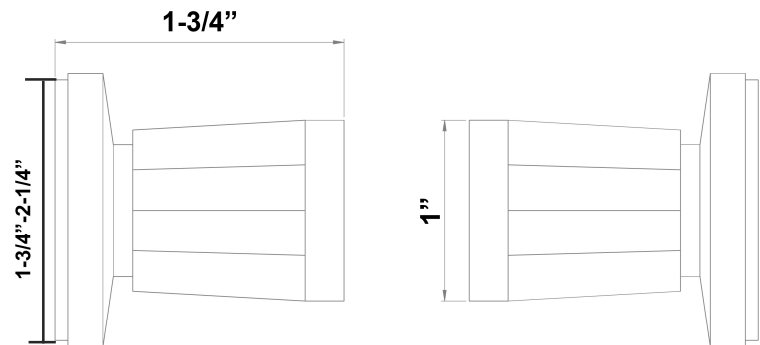
Base Diameter: 1-5/8"  
Tube Diameter: 1"

## Features:

- ▶ For use with 1" shower rods
- ▶ Sold in pairs
- ▶ Available in 7 finishes
- ▶ Die cast construction
- ▶ Use of ceiling supports required

## Finishes:

<b>CP</b>	Polished Chrome
<b>PN</b>	Polished Nickel
<b>BN</b>	Brushed Nickel
<b>ORB</b>	Oil Rubbed Bronze
<b>PB</b>	Polished Brass
<b>MB</b>	Black
<b>WH</b>	White



Dimensions are nominal and may vary. Dimensions and specifications subject to change without notice.